

Super Capacitor Manager

Check for Samples: [bq33100](#)

FEATURES

- Fully Integrated 2, 3, 4 and 5 Series Super Capacitor Manager
- Can Be Used With Up To 9 Series Capacitors Without Individual Integrated Capacitor Monitoring & Balancing
- Active Capacitor Voltage Balancing
 - Prevents Super Capacitor Overvoltage during Charging
- and Capacitor Health Monitoring
 - Capacitance Learning
 - ESR Measurement
 - Operation Status
 - State of Charge
 - State of Health
 - Charging Voltage and Current Reports
 - Safety Alerts with Optional Pin Indication
- Integrated Protection Monitoring and Control
 - Over Voltage
 - Short Circuit
 - Excessive Temperature
 - Excessive Capacitor Leakage
- 2 Wire SMBus Serial Communications
- High-Accuracy 16-Bit Delta-Sigma ADC With a 16-Channel Multiplexer for Measurement
 - Used for Voltage, Current and Temperature
- Low Power Consumption
 - <450uA in Normal Operating Mode
 - <1uA in Shutdown Mode
- Wide Operating Temperature: -40°C to +85°C

APPLICATIONS

- Battery Backup Replacement
- Cache Controllers
- RAID Systems
- Server Blade Cards
- UPS
- Medical and Test Equipment
- Portable Instruments

DESCRIPTION

The Texas Instruments bq33100 Super Capacitor Manager is a fully integrated, single-chip, solution that provides a rich array of features for managing, charge control, monitoring, and protection, for either 2, 3, 4 or 5 series Super Capacitors with individual capacitor monitoring and balancing or up to 9 series capacitors with only the stack voltage being measured. With a small footprint of 7.8 x 6.4 mm in a compact 24-pin TSSOP package, the bq33100 maximizes functionality and safety while dramatically increasing ease of use and cutting the solution cost and size for Super Capacitor applications.

Using its integrated high-performance analog peripherals, the bq33100 measures and maintains an accurate record of available capacitance, state-of-health, voltage, current, temperature, and other critical parameters in Super Capacitors, and reports the information to the system host controller over a 2-wire SMBus 1.1 compatible interface.

The bq33100 provides firmware controlled protection on overvoltage, overtemperature, and overcharge along with hardware controlled protection for overcurrent in discharge and short circuit protection during charge and discharge.

ORDERING INFORMATION

T _A	AGE	
	24 PIN TSSOP (PW) Tube	24 PIN TSSOP (PW) Tape & Reel
-40°C to 85°C	bq33100PW ⁽¹⁾	bq33100PWR ⁽²⁾

(1) A single tube quantity is 60 units.

(2) A single reel quantity is 2000 units



Please be aware that an important notice concerning availability, standard warranty, and use in critical applications of Texas Instruments semiconductor products and disclaimers thereto appears at the end of this data sheet.



This integrated circuit can be damaged by ESD. Texas Instruments recommends that all integrated circuits be handled with appropriate precautions. Failure to observe proper handling and installation procedures can cause damage.

ESD damage can range from subtle performance degradation to complete device failure. Precision integrated circuits may be more susceptible to damage because very small parametric changes could cause the device not to meet its published specifications.

PIN DETAILS

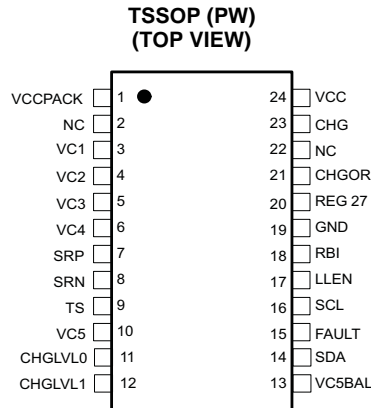


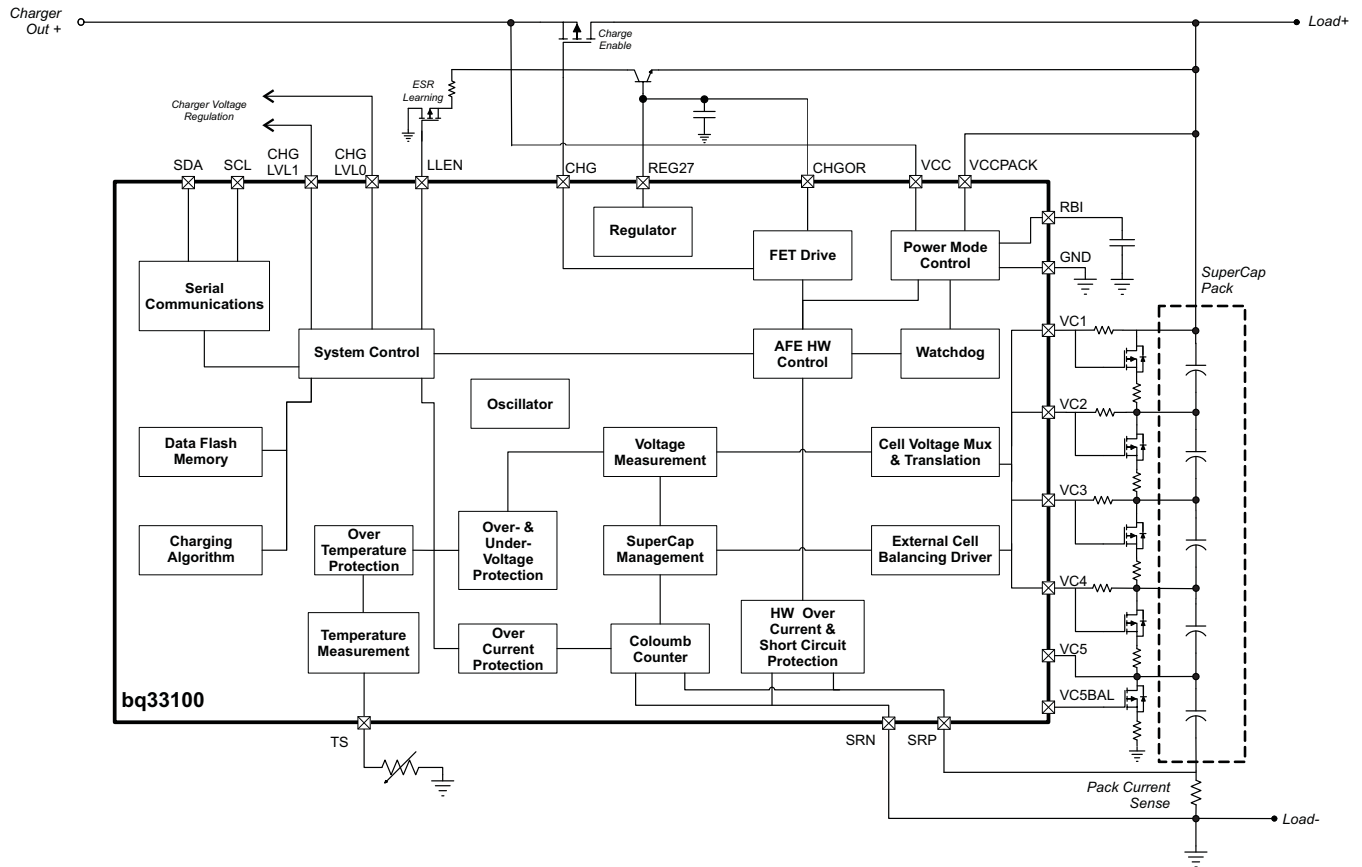
Table 1. Pin Functions

PIN		I/O	DESCRIPTION
NAME	NO.		
VCC	1	P	Power supply from power
NC	2	O	Not used and should be connected to VCC
VC1	3	IA	Sense voltage input terminal and external capacitor voltage balancing drive output for the 5th series capacitor, and stack measurement input. See 'Series Capacitor Configuration' for systems with less than 5 series
VC2	4	IA	Sense voltage input terminal and external capacitor voltage balancing drive output for the 4th series capacitor. See 'Series Capacitor Configuration' for systems with less than 5 series
VC3	5	IA	Sense voltage input terminal and external capacitor voltage balancing drive output for the 3rd series capacitor. See 'Series Capacitor Configuration' for systems with less than 5 series
VC4	6	IA	Sense voltage input terminal and external capacitor voltage balancing drive output for the 2nd series capacitor. See 'Series Capacitor Configuration' for systems with less than 5 series
SRP	7	IA	Analog input pin connected to the internal ADC peripheral for measuring a small voltage between SRP and SRN where SRP is the top of the sense resistor.
SRN	8	IA	Analog input pin connected to the internal ADC peripheral for measuring a small voltage between SRP and SRN where SRN is the bottom of the sense resistor.
TS	9	IA	Thermistor input
VC5	10	IA	Sense voltage input terminal and external capacitor voltage balancing drive output for the 1st capacitor. See 'Series Capacitor Configuration' for systems with less than 5 series
CHGLVL0	11	O	Charge Control Output 0
CHGLVL1	12	O	Charge Control Output 1
VC5BAL	13	O	Cell balance control output for the least positive capacitor
SDA	14	I/OD	Serial Data: Transmits and Receives data
FAULT	15	O	Active high output to indicate fault condition.
SCL	16	I/OD	Serial clock input: Clocks data on SDA
LLEN	17	O	Learn Load Enable Output
RBI	18	P	RAM backup pin to provide backup potential to the internal DATA RAM if power is momentarily lost by using a capacitor attached between RBI and GND
GND	19	P	Ground
REG27	20	P	Internal power supply 2.7V bias output
CHGOR	21	I	CHG Over Ride input. If not used connect to VSS

Table 1. Pin Functions (continued)

PIN		I/O	DESCRIPTION
NAME	NO.		
NC	22	-	No connect, leave pin floating
CHG	23	O	P-Channel FET drive for controlling charge
VCC	24	P	Positive input from power supply

SYSTEM PARTITIONING DIAGRAM



ABSOLUTE MAXIMUM RATINGS

Over operating free-air temperature range (unless otherwise noted)⁽¹⁾

			VALUE	UNIT
V _{MAX}	Supply voltage range	VCC w.r.t. GND	-0.3 to 34	V
V _{IN}	Input voltage range	VC1, VCC	V _{VC2} -0.3 to V _{VC2} +8.5 or 34, whichever is lower	V
		VC2	V _{VC3} -0.3 to V _{VC3} +8.5	V
		VC3	V _{VC4} -0.3 to V _{VC4} +8.5	V
		VC4	V _{SRP} -0.3 to V _{SRP} +8.5	V
		SRP, SRN	-0.3 to V _{REG27}	V
		SDA, SCL	-0.3 to 6.0	V
		CHGOR	-0.3 to VCC	V
		TS, VC5, CHGLVL0, CHGLVL1, FAULT	-0.3 to V _{REG27} + 0.3	V
V _O	Output voltage range	CHG	-0.3 to VCC	V
		VC5BAL	-0.3 to V _{REG27} +0.3	V
		RBI, REG27	-0.3 to 2.75	V
I _{SS}	Maximum combined sink current for input pins		50	mA
T _{FUNC}	Functional temperature		-40 to 110	°C
T _{STG}	Storage temperature range		-65 to 150	°C

(1) Stresses beyond those listed under *absolute maximum ratings* may cause permanent damage to the device. These are stress ratings only, and functional operation of the device at these or any other conditions beyond those indicated under *recommended operating conditions* is not implied. Exposure to absolute-maximum-rated conditions for extended periods may affect device reliability.

RECOMMENDED OPERATING CONDITIONS

Over operating free-air temperature range (unless otherwise noted)

		MIN	TYP	MAX	UNIT
Supply voltage	VCC			25	V
	VCC	3.8		V _{VC2} +5	
V _{STARTUP}	Start up voltage at VCC		5.2	5.5	V
V _{SHUTDOWN}	VCC or VCC, whichever is higher	3	3.2	3.3	V
V _{IN}	Input voltage range	VC1, VCC	V _{VC2}	V _{VC2} +5	V
		VC2	V _{VC3}	V _{VC3} +5	
		VC3	V _{VC4}	V _{VC4} +5	
		VC4	V _{SRP}	V _{SRP} +5	
		VCn – VC(n+1), (n=1, 2, 3, 4)	0	5	
		VC5	0	1	
		VCC		25	
		CHGOR	0	VCC - 0.3	
SRP to SRN	-0.3		1	V	
C _{REG27}	External 2.7V REG capacitor	1			µF
T _{OPR}	Operating temperature	-40		85	°C

ELECTRICAL CHARACTERISTICS

GENERAL PURPOSE I/O

Typical values stated where $T_A = 25^\circ\text{C}$ and $V_{CC} = V_{CC} = 14.4\text{V}$, Min/Max values stated where $T_A = -40^\circ\text{C}$ to 85°C and $V_{CC} = V_{CC} = 3.8\text{V}$ to 25V (unless otherwise noted)

PARAMETER	TEST CONDITION	MIN	TYP	MAX	UNIT	
V_{IH}	High-level input voltage	2			V	
V_{IL}	Low-level input voltage			0.8	V	
V_{OH}	Output voltage high	$V_{REG27}-0.5$			V	
V_{OL}	Low-level output voltage			0.4	V	
C_{IN}	Input capacitance		5		pF	
I_{ikg}	Input leakage current			1	μA	
V_{CHGOR}	CHG Over Ride active high	0.8	2.0	3.2	V	
$R_{PD(SMBx)}$	SDA and SCL pull-down	$T_A = -40^\circ\text{C}$ to 100°C	600	950	1300	k Ω
R_{PAD}	Pad resistance	TS	87	110	Ω	

SUPPLY CURRENT

Typical values stated where $T_A = 25^\circ\text{C}$ and $V_{CC} = V_{CC} = 14.4\text{V}$, Min/Max values stated where $T_A = -40^\circ\text{C}$ to 85°C and $V_{CC} = V_{CC} = 3.8\text{V}$ to 25V (unless otherwise noted)

PARAMETER	TEST CONDITION	MIN	TYP	MAX	UNIT
I_{CC}	Normal mode		450		μA
$I_{SHUTDOWN}$	Shutdown mode	$T_A = -40^\circ\text{C}$ to 110°C	0.5	1	μA

REG27 LDO

Typical values stated where $T_A = 25^\circ\text{C}$ and $V_{CC} = V_{REG} = 14.4\text{V}$, Min/Max values stated where $T_A = -40^\circ\text{C}$ to 85°C and $V_{CC} = V_{REG} = 3.8\text{V}$ to 25V (unless otherwise noted)

PARAMETER		TEST CONDITIONS		MIN	TYP	MAX	UNIT
V_{REG}	Regulator output voltage	$I_{REG27} = 10\text{ mA}$	$T_A = -40^\circ\text{C}$ to 85°C	2.5	2.7	2.75	V
$V_{REG27IT-}$	Negative-going POR voltage	At REG27	2.22	2.35	2.34	V	
$V_{REG27IT+}$	Positive-going POR voltage	At REG27	2.25	2.5	2.6	V	
$\Delta V_{(REGTEMP)}$	Regulator output change with temperature	$I_{REG} = 10\text{ mA}$	$T_A = -40^\circ\text{C}$ to 85°C	±0.5%			
$\Delta V_{(REGLINE)}$	Line regulation	$I_{REG} = 10\text{ mA}$			±2	±4	mV
$\Delta V_{(REGLOAD)}$	Load regulation	$I_{REG} = 0.2$ to 10 mA			±20	±40	mV
$I_{(REGMAX)}$	Current limit			25		50	mA

COULOMB COUNTER

Typical values stated where $T_A = 25^\circ\text{C}$ and $V_{CC} = V_{REG} = 14.4\text{V}$, Min/Max values stated where $T_A = -40^\circ\text{C}$ to 85°C and $V_{CC} = V_{REG} = 3.8\text{V}$ to 25V (unless otherwise noted)

PARAMETER	TEST CONDITION	MIN	TYP	MAX	UNIT
Input voltage range		-0.20		0.25	V
Conversion time	Single conversion		250		ms
Effective resolution	Single conversion	15			Bits
Integral nonlinearity	$T_A = -25^\circ\text{C}$ to 85°C		±0.007	±0.034	%FSR
Offset error ⁽¹⁾	$T_A = -25^\circ\text{C}$ to 85°C		10		μV
Offset error drift			0.3	0.5	μV/°C
Full-scale error ⁽²⁾		-0.8%	0.2%	0.8%	
Full-scale error drift				150	PPM/°C
Effective input resistance		2.5			MΩ

(1) Post Calibration Performance

(2) Uncalibrated performance. This gain error can be eliminated with external calibration.

ADC

Typical values stated where $T_A = 25^\circ\text{C}$ and $V_{CC} = V_{REG} = 14.4\text{V}$, Min/Max values stated where $T_A = -40^\circ\text{C}$ to 85°C and $V_{CC} = V_{REG} = 3.8\text{V}$ to 25V (unless otherwise noted)

PARAMETER	TEST CONDITION	MIN	TYP	MAX	UNIT
Input voltage range	TS, VC5	-0.2		$0.8 \times V_{REG27}$	V
Conversion time			31.5		ms
Resolution (no missing codes)		16			Bits
Effective resolution		14	15		Bits
Integral nonlinearity				±0.020	%FSR
Offset error ⁽¹⁾			70	160	μV
Offset error drift			1		μV/°C
Full-scale error	$V_{IN} = 1\text{ V}$	-0.8%	±0.2%	0.4%	
Full-scale error drift				150	PPM/°C
Effective input resistance		8			MΩ

(1) Channel to channel offset

EXTERNAL CAPACITOR VOLTAGE BALANCE DRIVE

Typical values stated where $T_A = 25^\circ\text{C}$ and $V_{CC} = V_{CC} = 14.4\text{V}$, Min/Max values stated where $T_A = -40^\circ\text{C}$ to 85°C and $V_{CC} = V_{CC} = 3.8\text{V}$ to 25V (unless otherwise noted)

PARAMETER	TEST CONDITIONS	MIN	TYP	MAX	UNIT
$R_{\text{BAL_drive}}$ Internal pull-down resistance for external capacitor voltage balance	Capacitor voltage balance ON for VC1, $V_{Ci}-V_{Ci+1} = 4\text{V}$, where $i = 1-4$		5.7		k Ω
	Capacitor voltage balance ON for VC2, $V_{Ci}-V_{Ci+1} = 4\text{V}$, where $i = 1-4$		3.7		
	Capacitor voltage balance ON for VC3, $V_{Ci}-V_{Ci+1} = 4\text{V}$, where $i = 1-4$		1.75		
	Capacitor voltage balance ON for VC4, $V_{Ci}-V_{Ci+1} = 4\text{V}$, where $i = 1-4$		0.85		

CAPACITOR VOLTAGE MONITOR

Typical values stated where $T_A = 25^\circ\text{C}$ and $V_{CC} = V_{CC} = 14.4\text{V}$, Min/Max values stated where $T_A = -40^\circ\text{C}$ to 85°C and $V_{CC} = V_{CC} = 3.8\text{V}$ to 25V (unless otherwise noted)

PARAMETER	TEST CONDITIONS	MIN	TYP	MAX	UNIT
CAPACITOR Voltage Measurement Accuracy	$T_A = -10^\circ\text{C}$ to 60°C		± 10	± 20	mV
	$T_A = -40^\circ\text{C}$ to 85°C		± 10	± 35	

INTERNAL TEMPERATURE SENSOR

Typical values stated where $T_A = 25^\circ\text{C}$ and $V_{CC} = V_{CC} = 14.4\text{V}$, Min/Max values stated where $T_A = -40^\circ\text{C}$ to 85°C and $V_{CC} = V_{CC} = 3.8\text{V}$ to 25V (unless otherwise noted)

PARAMETER	TEST CONDITIONS	MIN	TYP	MAX	UNIT
$T_{(\text{TEMP})}$ Temperature sensor accuracy			$\pm 3\%$		$^\circ\text{C}$

THERMISTOR MEASUREMENT SUPPORT

Typical values stated where $T_A = 25^\circ\text{C}$ and $V_{CC} = V_{CC} = 14.4\text{V}$, Min/Max values stated where $T_A = -40^\circ\text{C}$ to 85°C and $V_{CC} = V_{CC} = 3.8\text{V}$ to 25V (unless otherwise noted)

PARAMETER	TEST CONDITIONS	MIN	TYP	MAX	UNIT
R_{ERR} Internal resistor drift			-230		ppm/ $^\circ\text{C}$
R Internal resistor	TS1, TS2		17	20	k Ω

INTERNAL THERMAL SHUTDOWN

Typical values stated where $T_A = 25^\circ\text{C}$ and $V_{CC} = V_{CC} = 14.4\text{V}$, Min/Max values stated where $T_A = -40^\circ\text{C}$ to 85°C and $V_{CC} = V_{CC} = 3.8\text{V}$ to 25V (unless otherwise noted)

PARAMETER ⁽¹⁾	TEST CONDITIONS	MIN	TYP	MAX	UNIT
T_{MAX} Maximum REG27 temperature		125		175	$^\circ\text{C}$
T_{RECOVER} Recovery hysteresis temperature			10		$^\circ\text{C}$

(1) Parameters assured by design. Not production tested.

HIGH FREQUENCY OSCILLATOR

Typical values stated where $T_A = 25^\circ\text{C}$ and $V_{CC} = V_{CC} = 14.4\text{V}$, Min/Max values stated where $T_A = -40^\circ\text{C}$ to 85°C and $V_{CC} = V_{CC} = 3.8\text{V}$ to 25V (unless otherwise noted)

PARAMETER	TEST CONDITIONS	MIN	TYP	MAX	UNIT
$f_{(\text{OSC})}$ Operating frequency of CPU clock			2.097		MHz
$f_{(\text{EIO})}$ Frequency error ⁽¹⁾	$T_A = -20^\circ\text{C}$ to 70°C	-2%	$\pm 0.25\%$	2%	
	$T_A = -40^\circ\text{C}$ to 85°C	-3%	$\pm 0.25\%$	3%	
$t_{(\text{SXO})}$ Start-up time ⁽²⁾	$T_A = -25^\circ\text{C}$ to 85°C		3	6	ms

(1) The frequency drift is included and measured from the trimmed frequency at $V_{CC} = V_{CC} = 14.4\text{V}$, $T_A = 25^\circ\text{C}$

(2) The startup time is defined as the time it takes for the oscillator output frequency to be $\pm 3\%$ when the device is already powered.

LOW FREQUENCY OSCILLATOR

Typical values stated where $T_A = 25^\circ\text{C}$ and $V_{CC} = V_{CC} = 14.4\text{V}$, Min/Max values stated where $T_A = -40^\circ\text{C}$ to 85°C and $V_{CC} = V_{CC} = 3.8\text{V}$ to 25V (unless otherwise noted)

PARAMETER		TEST CONDITIONS	MIN	TYP	MAX	UNIT
$f_{(\text{LOSC})}$	Operating frequency			32.768		MHz
$f_{(\text{LEIO})}$	Frequency error ⁽¹⁾	$T_A = -20^\circ\text{C}$ to 70°C	-1.5%	$\pm 0.25\%$	1.5%	
		$T_A = -40^\circ\text{C}$ to 85°C	-2.5%	$\pm 0.25\%$	2.5%	
$t_{(\text{LSXO})}$	Start-up time ⁽²⁾	$T_A = -25^\circ\text{C}$ to 85°C			100	ms

(1) The frequency drift is included and measured from the trimmed frequency at $V_{CC} = V_{CC} = 14.4\text{V}$, $T_A = 25^\circ\text{C}$.

(2) The startup time is defined as the time it takes for the oscillator output frequency to be $\pm 3\%$.

RAM BACKUP

Typical values stated where $T_A = 25^\circ\text{C}$ and $V_{CC} = V_{CC} = 14.4\text{V}$, Min/Max values stated where $T_A = -40^\circ\text{C}$ to 85°C and $V_{CC} = V_{CC} = 3.8\text{V}$ to 25V (unless otherwise noted)

PARAMETER		TEST CONDITIONS	MIN	TYP	MAX	UNIT
$I_{(\text{RBI})}$	RBI data-retention input current	$V_{\text{RBI}} > V_{(\text{RBI})\text{MIN}}$, $V_{\text{REG27}} < V_{\text{REG27IT}}$, $T_A = 70^\circ\text{C}$ to 110°C		20	1500	nA
		$V_{\text{RBI}} > V_{(\text{RBI})\text{MIN}}$, $V_{\text{REG27}} < V_{\text{REG27IT}}$, $T_A = -40^\circ\text{C}$ to 70°C			500	
$V_{(\text{RBI})}$	RBI data-retention voltage ⁽¹⁾		1			V

(1) Specified by design. Not production tested.

FLASH

Typical values stated where $T_A = 25^\circ\text{C}$ and $V_{CC} = V_{CC} = 14.4\text{V}$, Min/Max values stated where $T_A = -40^\circ\text{C}$ to 85°C and $V_{CC} = V_{CC} = 3.8\text{V}$ to 25V (unless otherwise noted)

PARAMETER ⁽¹⁾		TEST CONDITIONS	MIN	TYP	MAX	UNIT
	Data retention		10			Years
	Flash programming write-cycles		20k			Cycles
$t_{(\text{ROWPROG})}$	Row programming time				2	ms
$t_{(\text{MASSERASE})}$	Mass-erase time				250	ms
$t_{(\text{PAGEERASE})}$	Page-erase time				25	ms
$I_{\text{CC}(\text{PROG})}$	Flash-write supply current			4	6	mA
$I_{\text{CC}(\text{ERASE})}$	Flash-erase supply current	$T_A = -40^\circ\text{C}$ to 0°C		8	22	mA
		$T_A = 0^\circ\text{C}$ to 85°C		3	15	

(1) Specified by design. Not production tested

CURRENT PROTECTION THRESHOLDS

Typical values stated where $T_A = 25^\circ\text{C}$ and $V_{CC} = V_{CC} = 14.4\text{V}$, Min/Max values stated where $T_A = -40^\circ\text{C}$ to 85°C and $V_{CC} = V_{CC} = 3.8\text{V}$ to 25V (unless otherwise noted)

PARAMETER		TEST CONDITIONS		MIN	TYP	MAX	UNIT	
$V_{(OCD)}$	OCD detection threshold voltage range, typical	RSNS = 0	RSNS is set in STATE_CTL register	50		200	mV	
		RSNS = 1		25		100		
$\Delta V_{(OCDT)}$	OCD detection threshold voltage program step	RSNS = 0			10		mV	
		RSNS = 1			5			
$V_{(SCCT)}$	SCC detection threshold voltage range, typical	RSNS = 0			-100		-300	mV
		RSNS = 1			-50		-225	
$\Delta V_{(SCCT)}$	SCC detection threshold voltage program step	RSNS = 0				-50		mV
		RSNS = 1				-25		
$V_{(SCDT)}$	SCD detection threshold voltage range, typical	RSNS = 0			100		450	mV
		RSNS = 1			50		225	
$\Delta V_{(SCDT)}$	SCD detection threshold voltage program step	RSNS = 0				50		mV
		RSNS = 1				25		
$V_{(OFFSET)}$	SCD, SCC and OCD offset			-10		10	mV	
$V_{(Scale_Err)}$	SCD, SCC and OCD scale error			-10%		10%		

CURRENT PROTECTION TIMING

Typical values stated where $T_A = 25^\circ\text{C}$ and $V_{CC} = V_{CC} = 14.4\text{V}$, Min/Max values stated where $T_A = -40^\circ\text{C}$ to 85°C and $V_{CC} = V_{CC} = 3.8\text{V}$ to 25V (unless otherwise noted)

PARAMETER	TEST CONDITIONS	MIN	TYP	MAX	UNIT	
$t_{(OCDD)}$	Overcurrent in discharge delay	1		31	ms	
$t_{(OCDD_STEP)}$	OCDD step options		2		ms	
$t_{(SCDD)}$	Short circuit in discharge delay	AFE.STATE_CNTRL[SCDDx2] = 0	0	915	μs	
		AFE.STATE_CNTRL[SCDDx2] = 1	0	1830		
$t_{(SCDD_STEP)}$	SCDD step options	AFE.STATE_CNTRL[SCDDx2] = 0		61	μs	
		AFE.STATE_CNTRL[SCDDx2] = 1		122		
$t_{(SCCD)}$	Short circuit in charge delay	0		915	μs	
$t_{(SCCD_STEP)}$	SCCD step options		61		μs	
$t_{(DETECT)}$	Current fault detect time	$V_{SRP-SRN} = V_{THRESH} + 12.5\text{ mV}$, $T_A = -40^\circ\text{C}$ to 85°C		35	160	μs
t_{ACC}	Overcurrent and short circuit delay time accuracy	Accuracy of typical delay time with WDI active	-20%		20%	
		Accuracy of typical delay time with no WDI input	-50%		50%	

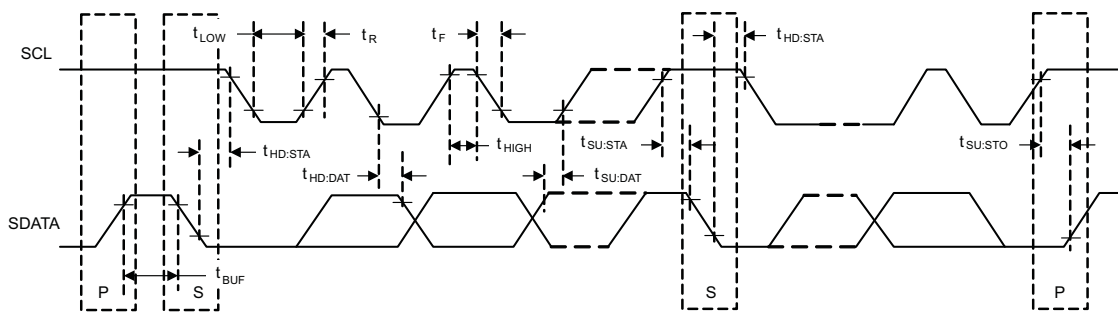
SMBus

Typical values stated where $T_A = 25^\circ\text{C}$ and $V_{CC} = V_{CC} = 14.4\text{V}$, Min/Max values stated where $T_A = -40^\circ\text{C}$ to 85°C and $V_{CC} = V_{CC} = 3.8\text{V}$ to 25V (unless otherwise noted)

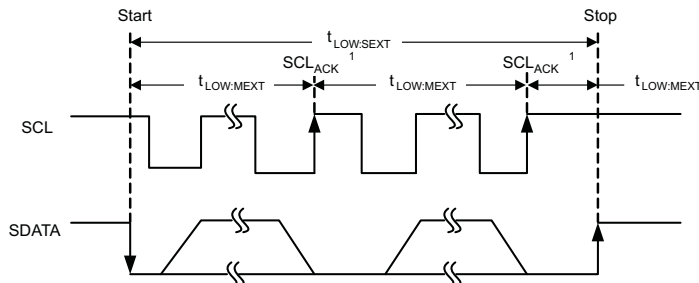
PARAMETER	TEST CONDITIONS	MIN	TYP	MAX	UNIT
f_{SMB}	SMBus operating frequency	Slave mode, SCL 50% duty cycle	10	100	kHz
f_{MAS}	SMBus master clock frequency	Master mode, no clock low slave extend	51.2		kHz
t_{BUF}	Bus free time between start and stop		4.7		μs
$t_{\text{HD:STA}}$	Hold time after (repeated) start		4.0		μs
$t_{\text{SU:STA}}$	Repeated start setup time		4.7		μs
$t_{\text{SU:STO}}$	Stop setup time		4.0		μs
$t_{\text{HD:DAT}}$	Data hold time	Receive mode	0		ns
		Transmit mode	300		
$t_{\text{SU:DAT}}$	Data setup time		250		ns
t_{TIMEOUT}	Error signal/detect	See (1)	25	35	ms
t_{LOW}	Clock low period		4.7		μs
t_{HIGH}	Clock high period	See (2)	4.0	50	μs
$t_{\text{LOW:SEXT}}$	Cumulative clock low slave extend time	See (3)		25	ms
$t_{\text{LOW:MEXT}}$	Cumulative clock low master extend time	See (4)		10	ms
t_{F}	Clock/data fall time	See (5)		300	ns
t_{R}	Clock/data rise time	See (6)		1000	ns

- (1) The bq33100 times out when any clock low exceeds t_{TIMEOUT}
- (2) $t_{\text{HIGH, Max}}$ is the minimum bus idle time. $\text{SCL} = \text{SDA} = 1$ for $t > 50 \mu\text{s}$ causes reset of any transaction involving bq33100 that is in progress. This specification is valid when the NC_SMB control bit remains in the default cleared state ($\text{CLK}[0]=0$). If NC_SMB is set then the timeout is disabled.
- (3) $t_{\text{LOW:SEXT}}$ is the cumulative time a slave device is allowed to extend the clock cycles in one message from initial start to the stop.
- (4) $t_{\text{LOW:MEXT}}$ is the cumulative time a master device is allowed to extend the clock cycles in one message from initial start to the stop.
- (5) Rise time $t_{\text{R}} = V_{\text{ILMAX}} - 0.15$ to $(V_{\text{IHMIN}} + 0.15)$
- (6) Fall time $t_{\text{F}} = 0.9V_{\text{DD}}$ to $(V_{\text{ILMAX}} - 0.15)$

SMBus Timing



SMBus t_{TIMEOUT}



- (1) SCL_{ACK} is the acknowledge-related clock pulse generated by the master.

OVERVIEW

Super Capacitor Measurements

The bq33100 measures the series capacitor voltages or stack voltage, current and temperature using a delta-sigma analog-to-digital converter (ADC). The bq33100 uses this measured data and advanced algorithms to determine the State-of-Health and available capacitance of the Super Capacitor .

Voltage

The bq33100 has two separate modes, Normal mode and Stack mode, where measurements are taken and managed differently. The setting of **Operation Cfg [STACK]** to 1 enables Stack mode otherwise the bq33100 operates in normal mode.

The bq33100 updates the individual series capacitor voltages at one (1) second intervals when in Normal mode and measures the stack voltage at one (1) second intervals when in Stack mode . The internal ADC of the bq33100 measures the voltage, scales, and offsets, and calibrates it appropriately. To ensure an accurate differential voltage sensing, the IC ground should be connected directly to the most negative terminal of the Super Capacitor stack, not to the positive side of the sense resistor. This minimizes the voltage drop across the PCB trace.

Current, Charge and Discharge Counting

The delta-sigma ADC measures the system current of the Super Capacitor by measuring the voltage drop across a small-value sense resistor (typically 5 mΩ to 20 mΩ typ.) between the SRP and SRN pins. The ADC measures bipolar signals from -0.20 V to 0.25 V.

Device Calibration

The bq33100 requires voltage calibration to maximize accuracy of the monitoring system, the bq33100 evaluation software can perform this calibration. The external filter resistors, connected from each capacitor to the VCx input of the bq33100, are required to be 1kΩ.

The bq33100 can automatically calibrate its offset between the A to D converter and the input of the high voltage translation circuit during normal operation for maximum capacitor voltage measurement accuracy.

Temperature

The bq33100 has an internal temperature sensor and input for an external temperature sensor input, TS. The external input is used in conjunction with an NTC thermistor (default is Semitec 103AT) to sense the Super Capacitor temperature. The bq33100 can be configured to use internal or external temperature sensors.

Series Capacitor Configuration

The bq33100 can be used to monitor 2, 3, 4 or 5 capacitors in series. The appropriate connectivity for the different options are detailed in the following table.

Table 2. Series Capacitor Connectivity

bq33100 Pin	5-Series	4-Series	3-Series	2-Series
VC1	P of Top (5th) Cap	P of 4th Cap	Short to VC2	Short to VC2
VC2	P of 4th Cap, N of 5th Cap	P of 3rd Cap, N of 4th Cap	P of 3rd Cap	Short to VC3
VC3	P of 3rd Cap, N of 4th Cap	P of 2nd Cap, N of 3rd Cap	P of 2nd Cap, N of 3rd Cap	P of 2nd Cap
VC4	P of 2nd Cap, N of 3rd Cap	P of Bottom (1st) Cap, N of 2nd Cap	P of Bottom (1st) Cap, N of 2nd Cap	P of Bottom (1st) Cap, N of 2nd Cap
VC5	P of Bottom (1st) Cap, N of 2nd Cap	N of Bottom Cap (1st)	N of Bottom Cap (1st)	N of Bottom Cap (1st)
VSS	N of Bottom Cap (1st)	Short to VC5	Short to VC5	Short to VC5

Note: The CC0...CC2 bits in Operation Cfg should be programmed to match the corresponding configuration.

When in Stack mode (Operation Cfg [STACK] =1) VC1 should be connected to VC2 and VC3 connected to VC4. Additionally a 'divide by 2' resistor divider should be connected between the top and bottom of the capacitor array with VC1,2 being the top and VC3,4 being the middle and VSS being the bottom. In this configuration pins VC5 and VC5BAL are not used and should be connected to VSS.

Charge Control Features

The bq33100 charge control features can report the appropriate charging voltage and charging current via communications bus if host or charge controller requires. The bq33100 can also report charging status and faults through status registers and, optionally, the FAULT pin.

CHG Over Ride Control

The CHG output of the bq33100 is typically controlled automatically but can be over ridden through the CHGOR pin (pin 21). On a low -to-high transition the CHG output is released turning off the external CHG FET and on a high-to-low transition the CHG output is pulled low after a programmable delay.

Note: The CHG FET will remain OFF until *OperationStatus [LTE]* is set or through control via the SMBus command *FETControl*. Once *[LTE]* is set then CHG will be controlled automatically.

Capacitor Voltage Balance Control

During charging and when in Normal mode, this feature reduces the voltage difference of the Super Capacitors gradually using a voltage-based balancing algorithm. This prevents fully charged capacitors from overcharging and causing excessive degradation and also increases the usable energy by preventing premature charge termination.

If voltage balancing is required a voltage threshold can be set up for voltage balancing to be active. When balancing the bq33100 control allows a weak, internal pull-down for VC1 to VC4 pin. The purpose of this weak pull-down is to enable an external FET for current bypass. Series resistors placed between the input VC1 to VC4 pins and the positive Super Capacitor terminals, control the V_{GS} of the external FET. The lowest capacitor is slightly different and uses the VC5BAL output to enable the capacitor bypass

Lifetime Data Logging Features

The bq33100 offers limited lifetime data logging for the following critical Super Capacitor parameters for analysis purposes:

- Lifetime maximum temperature
- Lifetime minimum temperature
- Lifetime maximum capacitor voltage

Safety Detection Features

The bq33100 supports a wide range of Super Capacitor and system safety features that can easily be configured to act on the CHG output (pin 23) and/or the FAULT output (pin 15).

- Overvoltage detection for individual series capacitors
- Overcurrent detection during charging and discharging
- Short circuit detection during charging and discharging
- Overtemperature detection during charging
- Voltage imbalance detection
- Internal AFE clock and communication fault detections
- State of Health degradation detection

Communications

The bq33100 uses SMBus v1.1 for host communications although an SMBus slave can be communicated with via an I²C master.

SMBus On and Off State

The bq33100 detects a SMBus off state when SCL and SDA are logic-low for ≥ 2 seconds. Clearing this state requires either SCL or SDA to transition high. Within 1 ms, the communication bus is available.

Power Modes

The bq33100 supports 2 different power modes:

- In Normal Mode, the bq33100 performs measurements, calculations, protection decisions and data updates in 1 second intervals. Between these intervals, the bq33100 is in a reduced power mode.
- In Shutdown mode the bq33100 is powered down with only a voltage based wake function operating

NOTATIONAL CONVENTIONS

The following notation is used in this document, if SBS commands and Data Flash values are mentioned within a text block:

- SBS commands are set in italic, e.g., *Voltage*
- SBS bits and flags are capitalized, set in italic and enclosed with square brackets, e.g., *[SS]*
- Data Flash values are set in bold italic e.g., ***OV Threshold***
- All Data Flash bits and flags are capitalized, set in bold italic and enclosed with square brackets, e.g., ***[OV]***

All SBS commands, Data Flash values and flags mentioned in a chapter are listed at the beginning of each chapter for reference.

The reference format for SBS commands is: SBS:Command Name(Command No.):Manufacturer Access(MA No.)[Flag], for example:

SBS:Voltage(0x09), or SBS:ManufacturerAccess(0x00):Seal Device(0x0020)

DETAILED DESCRIPTION

Capacitance Monitoring and Learning

Monitoring and Control Operational Overview

The bq33100 periodically determines the capacitance and equivalent series resistance (ESR) of the super capacitor array during normal operation. The ***Learning Frequency*** is a register that sets the time between automatic learning cycles of the Super Capacitor which can also be manually executed by issuing a *Learn* command. The bq33100 uses the learning cycles to update the *Capacitance* and *ESR* registers accordingly and both are accessible through the SMBus interface.

Learning process is a multi-step procedure fully controlled by the bq33100 that will perform the following sequence to learn Capacitance and ESR:

1. Charge to ***V Learn Max***
2. Discharge using constant current load to a minimum voltage of the present charging voltage and internally record voltage and time
3. Charge to ***V Learn Max***
4. Discharge using constant current load and internally record current and time
5. Calculate Capacitance and ESR based on recorded voltage and current
6. Determine new Charging Voltage
7. Discharge capacitors to Charging Voltage

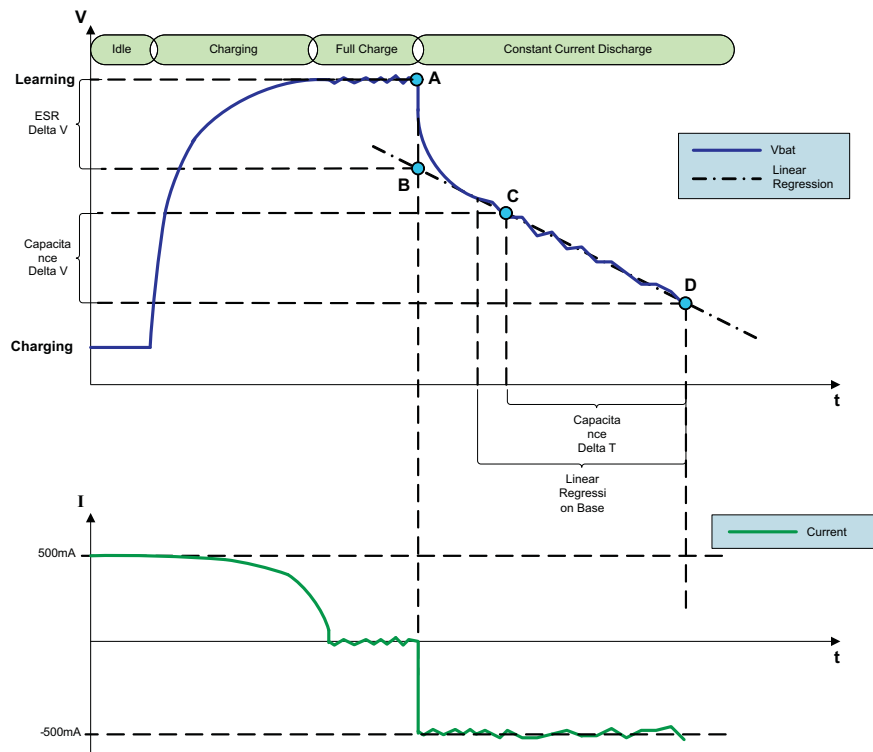


Figure 1. Voltage as Current During Learning

Where:

$$C = I \times (t[D] - t[C]) / (V[C] - V[D]) \tag{1}$$

and

$$ESR = (V[A] - V[B]) / I \tag{2}$$

Main Monitoring Registers

Capacitance represents the total capacitance in the . The bq33100 computes capacitance in units of F (Farads).

On initialization, the bq33100 sets *Capacitance* to the data flash value stored in **Initial Capacitance**. During subsequent learning cycles, the bq33100 updates *Capacitance* with the last measured capacitance of the . Once updated, the bq33100 writes the new *Capacitance* value to data flash to **Capacitance**. *Capacitance* represents the full Super Capacitor reference for relative state of charge calculations.

InitialCapacitance — The first updated value of Super Capacitor capacitance and represented in units of F.

RelativeStateOfCharge (RSOC) represents the % of available energy and is calculated by:

$$Capacitance * (Voltage - Vmin) / (Vcharging - Vmin)$$

Learning Frequency — The Learning Frequency register sets the time between automatic learning cycles of the Super Capacitor which can also be manually executed by issuing a *ManufacturerAccess Learn* command. The bq33100 uses the learning cycles to measure the Super Capacitor capacitance and update the Capacitance register accordingly.

Initial Capacitance at Device Reset

The bq33100 estimates the initial capacitance of a at device reset, which is the case when the capacitors are first attached to the application circuit. This gives a reasonably accurate Capacitance and RSOC value, however, Super Capacitor capacitance learning is required in order to improve the accuracy of Capacitance and RSOC.

Qualified Capacitance Learning

The bq33100 updates Capacitance with an amount based on the value learned during a qualified learning cycle. Once updated, the bq33100 writes the new *Capacitance* value to data flash to **Capacitance**.

The bq33100 sets $[CL] = 1$ and clears $[LPASS]$ in *Operation Status* when a qualified capacitance learning cycle begins. The period of time that the learning takes is set by **CL Time** although the first learning cycle after a device reset will not occur until after an elapsed time of **Learning Frequency**. When a qualified learn has occurred $[LPASS]$ in *Operation Status* is set.

During the learning process there are specific timeouts to protect from over charge or over discharge of the super capacitor array. At the beginning of each phase of charge and discharge a timer is started. If the timer exceeds **Max Discharge Timeout** during the discharging phase then *Operation Status* $[LDTO]$ is set if the timer exceeds **Max Charge Timeout** for the charging phase then *Operation Status* $[LCTO]$ is set. the flags are cleared upon the beginning of the next learning cycle.

During capacitance learning both capacitor voltage balancing operations and overvoltage detection are suspended.

Health Determination

The bq33100 uses the following method to determine the relative health of the capacitor.

$$\text{Health} = (\text{Capacitance} / \text{InitialCapacitance})$$

The bq33100 will determine a new *ChargingVoltage* at end of the learning cycle based on the newly learned *Capacitance*. The following warnings will be set based on the changes in *ChargingVoltage* and the capacitors ability to provide the minimum power needs.

ChargingVoltage = **V Chg Nominal** then *SafetyStatus* $[HLOW]$, $[HWARN]$ and $[HFAIL]$ are cleared.

If *ChargingVoltage* is set to **V Chg A** or **V Chg B** then *SafetyStatus* $[HLOW]$ is set.

If *ChargingVoltage* is set to **V Chg Max** then *SafetyStatus* $[HWARN]$ is set.

If *ChargingVoltage* is set to **V Chg Max** and the bq33100 determines that the newly learned *Capacitance* cannot provide the minimum power requirements then *SafetyStatus* $[HFAIL]$ is set.

The minimum power requirements is determined by the **Min Power**, **Required Time** and **Min Voltage** data flash values.

If the corresponding $[HLOW]$, $[HWARN]$ or $[HFAIL]$ bits are set in **FAULT** when the *SafetyStatus* $[HLOW]$ or $[HWARN]$ bit is set then the FAULT pin is set.

ESR Measurement

The bq33100 measures the voltage on the capacitor stack when the LLEN pin (pin 17) is high. The LLEN pin is controlled by firmware to enable a circuit that presents a constant current load to the full capacitor stack. With the known voltage and known current the ESR of the capacitor array can be determined. The final reported value of ESR is also adjusted by the data flash value of **ESR Offset**

The final value of ESR can be read from the bq33100 via *ESR* which is in mΩ.

Monitor Operating Modes

Entry and exit of each mode is controlled by data flash parameters. In Discharge Mode, the $[DSG]$ flag in *Operation Status* is set. Discharge mode is entered when *Current* goes below (-) **Dsg Current Threshold**. Discharge mode is exited when *Current* goes above **Chg Current Threshold** threshold for more than 1 second.

Charge mode is entered when *Current* goes above **Chg Current Threshold**. Charge mode is exited when *Current* goes below **Dsg Current Threshold** for more than 1 second. .

Capacitor Voltage Balancing

Capacitor voltage balancing in the bq33100 is accomplished by connecting an external parallel bypass load to each capacitor, and enabling the bypass load depending on each individual capacitors voltage level. The bypass load is typically formed by a P-ch MOSFET and a resistor connected in series across each capacitor. The filter resistors that connect the capacitor tabs to VC1–VC4 pins of the bq33100 are required to be 1k ohms to support this function on all capacitors other than the lowest. The lowest capacitor bypass is enabled via the VC5BAL pin. Capacitor Voltage Balancing is only operational after the *ManufacturerAccess Lifetime & Capacitor Balancing Enable* (0x21) command is sent to the bq33100.

Using this circuit, the bq33100 balances the capacitors during charge and after charge termination by discharging those capacitors with voltage above the threshold set in **CB Threshold** and if the ΔV in capacitor voltages exceeds the value programmed in **CB Min**. During capacitor voltage balancing, the bq33100 measures the capacitor voltages periodically (during which time the voltage balancing circuit is turned off) and based on the capacitor voltages, the bq33100 selects the appropriate capacitor to discharge. When ΔV of *CapacitorVoltage5...1* < **CB Min** then capacitor voltage balancing stops. Capacitor voltage balancing restarts when ΔV of *CapacitorVoltage5...1* \geq **CB Restart** to avoid balancing start-stop oscillations.

Capacitor voltage balancing only occurs when:

- Charging current is detected (*Current* > **Chg Current Threshold** OR
- The [FC] flag in *OperationStatus* has been set AND
- Δ *CapacitorVoltage5...1* \geq **CB Restart**

Capacitor voltage balancing stops when:

- Δ *CapacitorVoltage5...1* < **CB Min**
- Discharging current detected (*Current* > **Dsg Current Threshold**)

This feature is disabled when in Stack mode, when **Operation Cfg [STACK]** =1.

Charge Control

The bq33100 supports two main charge control architectures, discrete control and smart control. In a discrete charge control implementation the CHGLVL0 and CHGLVL1 pins can be used to adjust the charging voltage of an external supply (see reference schematic for example).

As the super capacitors age a higher charging voltage can be configured to offset the deteriorating super capacitor ESR and Capacitance due to aging. With the discrete control method there are 4 levels of charging voltages that can be chosen, **V Chg Nominal**, **V Chg A**, **V Chg B** and **V Chg Max**. The setting of the charging voltage is determined by the value of the latest determined required *Charging Voltage*.

The CHGLVL0 and CHGLVL1 pin states are defined by the V Chg X parameters selected per the following table:

ChargingVoltage	CHGLVL1 (pin 12)	CHGLVL0 (pin11)
V Chg Nominal	0	0
V Chg A	0	1
V Chg B	1	0
V Chg Max	1	1

In a smart control architecture the bq33100 makes the appropriate maximum charging current and charging voltage per the charging algorithm available via the *ChargingCurrent* and *ChargingVoltage* SMBus commands respectively. This enables either an SMBus master or smart charger to manage the charging of the super capacitor pack.

Primary Charge Termination

The bq33100 determines charge termination if:

- The average charge current < **Taper Current** during 2 consecutive **Current Taper Window** time periods, AND
- *Voltage* + **Taper Voltage** \geq *ChargingVoltage*

NOTE: To make sure that the charge terminates properly, it is recommend that **Taper Current** be set to a value greater than the maximum charger voltage inaccuracy

The bq33100 sets the *[FC]* flag in *Operation Status* when a valid charge termination occurs and cleared when *RelativeStateOfCharge* is less than 98%.

CHG Over Ride Control

During the normal operation of the bq33100 the CHG output of the bq33100 is typically controlled automatically but can be over ridden through the CHGOR pin (pin 21). On a low -to-high transition the CHG output is released turning off the external CHG FET and on a high-to-low transition the CHG output is pulled low after a programmable delay **CHG Enable Delay**. If **CHG Enable Delay** is programmed to 0 the delay is a maximum of 250ms. If the CHG over ride function is not needed then the CHGOR pin should be connected to VSS.

Lifetime Data Gathering

Lifetime Maximum Temperature

During the operation lifetime of the bq33100 it gathers temperature data. During this time the bq33100 can be enabled to record the Maximum value that the measured temperature reached. If the *[LTE]* flag is set in *OperationStatus*, **Lifetime Max Temp** value is updated if one of the following conditions are met:

- internal measurement temperature - **Lifetime Max Temp** > 1 °C.
- internal measurement temperature > **Lifetime Max Temp** for a period > 60 seconds
- internal measurement temperature > **Lifetime Max Temp** AND any other lifetime value is updated.

Table 3. Lifetime Maximum Temperature

Subclass ID	Subclass Name	Offset	Name	Format	Size in Bytes	Min Value	Max Value	Default Value	Unit
59	Lifetime Data	0	Lifetime Max Temp	Integer	2	0	1400	350	0.1 degC

Lifetime Minimum Temperature

During the operation lifetime of the bq33100 it gathers temperature data. During this time the bq33100 can be enabled to record the Minimum value that the measured temperature reached. If the *[LTE]* flag is set, **Lifetime Min Temp** is updated if one of the following conditions are met:

- **Lifetime Min Temp** - internal measurement temperature > 1 °C.
- **Lifetime Min Temp** > internal measurement temperature for a period > 60 seconds
- **Lifetime Min Temp** > internal measurement temperature > AND any other lifetime value is updated.

Table 4. Lifetime Minimum Temperature

Subclass ID	Subclass Name	Offset	Name	Format	Size in Bytes	Min Value	Max Value	Default Value	Unit
59	Lifetime Data	2	Lifetime Min Temp	Integer	2	-600	1400	50	0.1 degC

Lifetime Maximum Capacitor Voltage

During the operation lifetime of the bq33100 it gathers voltage data and if in Single mode (**Operation Cfg [STACK J]** =0). During this time the bq33100 can be enabled to record the Maximum value that the measured voltage reached. If the *[LTE]* flag is set, **Lifetime Max Capacitor Voltage** is updated if one of the following conditions are met:

- any internally measured capacitor voltage - **Lifetime Max Capacitor Voltage** > 25 mV
- any internally measured capacitor voltage > **Lifetime Max Capacitor Voltage** for a period > 60 seconds
- any internally measured capacitor voltage **Lifetime Max Capacitor Voltage** AND any other lifetime value is updated.

Table 5. Lifetime Max Capacitor Voltage

Subclass ID	Subclass Name	Offset	Name	Format	Size in Bytes	Min Value	Max Value	Default Value	Unit
59	Lifetime Data	4	Lifetime Max Capacitor Voltage	Integer	2	0	32767	0	mV

Safety Detection Features

The bq33100 supports a wide range of Super Capacitor and system safety detection and protection features that are easily configured or enabled via the integrated data flash. These features are intended, through various configuration options, to provide a level of safety from external influences causing damage to components with the power path, eg: limiting the period of time the CHG FET is exposed to high current pulse charge conditions

Capacitor Overvoltage (OV)

The bq33100 can detect capacitor overvoltage condition and protect capacitors from damage.

When any *CapacitorVoltage5...1* exceeds (*ChargingVoltage* / number of capacitors (see **Operation Cfg [CC2,1,0]**) + **OV Threshold**) the *[OV]* flag in *SafetyAlert* is set.

When any *CapacitorVoltage5...1* exceeds (*ChargingVoltage* / number of capacitors (see **Operation Cfg [CC2,1,0]**) + **OV Threshold**) for a period greater than **OV Time** the *[OV]* flag in *SafetyStatus* is set.

When the bq33100 is configured for Pack Mode, when **Operation Cfg [PACK]** =1, then a fault is detected when *Voltage* exceeds (*ChargingVoltage* + **OV Threshold**) the *[OV]* flag in *SafetyAlert* is set.

When the bq33100 is configured for Pack Mode, when **Operation Cfg [PACK]** =1, then a fault is detected when *Voltage* exceeds (*ChargingVoltage* + **OV Threshold**) for a period greater than **OV Time** the *[OV]* flag in *SafetyStatus* is set.

This function is disabled if **OV Time** is set to zero.

In an overvoltage condition charging is disabled and the CHG FET is turned off, *ChargingCurrent* and *ChargingVoltage* are set to zero.

The bq33100 recovers from a capacitor overvoltage condition if all *CapacitorVoltages5..1* are equal to or lower than (*ChargingVoltage* / number of capacitors (see **Operation Cfg [CC2,1,0]**) + **OV Recovery**). If the bq33100 is configured for Pack Mode then the recover occurs when *Voltage* is equal to or lower than (*ChargingVoltage* + **OV Recovery**).

On recovery the *[OV]* flag is reset, and *ChargingCurrent* and *ChargingVoltage* are set back to appropriate values per the charging algorithm.

Note: When *ChargingVoltage* has been set to 0 due to a detected condition then the capacitor overvoltage function is suspended.

Capacitor Voltage Imbalance (CIM)

The bq33100 starts capacitor voltage imbalance detection when *Current* is less than or equal to **CIM Current** AND ALL *CapacitorVoltage5..1* > **Min CIM Check Voltage**. This function only operates when the bq33100 is in Normal mode, when **Operation Cfg [PACK]** =0.

When the difference between highest capacitor voltage and lowest capacitor voltage exceeds **CIM Fail Voltage** the *[CIM]* flag in *SafetyAlert* is set.

When the difference between highest capacitor voltage and lowest capacitor voltage exceeds **CIM Fail Voltage** for a period greater than **CIM Time** the *[CIM]* flag in *SafetyStatus* is set and *ChargingCurrent* and *ChargingVoltage* are set to 0 and the CHG FET is turned off.

This function is disabled if **CIM Time** is set to zero.

The capacitor voltage imbalance detection is cleared when the difference between highest capacitor voltage and lowest capacitor voltage is less than **CIM Fail Voltage**. When this is detected then the CHG FET is allowed to be turned on, if other safety and configuration states permit, *ChargingCurrent* and *ChargingVoltage* are set to the appropriate value per the charging algorithm, and the *[CIM]* flag in *SafetyStatus* is reset.

Weak Capacitor (CLBAD)

When the capacitor array has been fully charged (indicated by *OperationStatus [FC]* being set) then it is monitored for excessive leakage.

When *Current* exceeds **CLBAD Current** the *[CLBAD]* flag in *SafetyAlert* is set.

When *Current* exceeds **CLBAD** for a period greater than **CLBAD Time** the *[CLBAD]* flag in *SafetyStatus* is set.

This function is disabled if **CLBAD Time** is set to zero.

In a weak capacitor condition charging is disabled and the CHG FET is turned off, *ChargingCurrent* and *ChargingVoltage* are set to zero.

The weak capacitor fault is cleared when *Current* falls equal to or below the **CLBAD Recovery** limit. When the recovery condition is detected, then the CHG FET is allowed to be turned on, if other safety and configuration states permit, *ChargingCurrent* and *ChargingVoltage* are set to the appropriate value per the charging algorithm, and the *[CLBAD]* flag in *SafetyStatus* is reset.

Overtemperature (OT)

The bq33100 has overtemperature protection to prevent charging at excessive temperatures.

When *Temperature* exceeds **OT** the *[OT]* flag in *SafetyAlert* is set.

When *Temperature* exceeds **OT** for a period greater than **OT Time** the *[OT]* flag in *SafetyStatus* is set.

This function is disabled if **OT Time** is set to zero.

In an overtemperature condition charging is disabled and the CHG FET is turned off, *ChargingCurrent* and *ChargingVoltage* are set to zero.

The overtemperature fault is cleared when *Temperature* falls equal to or below the **OT Recovery** limit. When the recovery condition is detected, then the CHG FET is allowed to be turned on, if other safety and configuration states permit, *ChargingCurrent* and *ChargingVoltage* are set to the appropriate value per the charging algorithm, and the *[OT]* flag in *SafetyStatus* is reset.

Overcurrent During Charging (OC Chg)

The bq33100 has an independent level of recoverable overcurrent protection during charging.

When *Current* exceeds **OC Chg** the *[OCC]* flag in *SafetyAlert* is set.

When *Current* exceeds **OC Chg** for a period greater than **OC Chg Time** the *[OCC]* flag in *SafetyStatus* is set and *ChargingCurrent* and *ChargingVoltage* are set to 0.

This function is disabled if **OC Chg Time** is set to zero.

The overcurrent fault is cleared when *Current* falls below **OC Chg Recovery**. When a charging-fault recovery condition is detected, then the CHG FET is allowed to be turned on, if other safety and configuration states permit, *ChargingCurrent* and *ChargingVoltage* are set to the appropriate value per the charging algorithm, and the *[OCC]* flag in *SafetyStatus* is reset.

Overcurrent During Discharging (OC Dsg)

The bq33100 overcurrent is discharge detection executed by the integrated AFE is configured by the bq33100 data flash **OC Dsg** and **OC Dsg Time** registers.

When the integrated AFE detects a overcurrent in discharge condition the charge FET is turned off and the *[OCD]* flag in *SafetyStatus* is set, the internal current recovery timer is reset and *ChargingCurrent* and *ChargingVoltage* are set to 0.

The recovery is controlled by the bq33100 and requires that *Current* be \leq **OC Dsg Recovery** threshold and that the internal AFE current recovery timer \geq **Current Recovery Time**.

When the recovery condition is detected, *ChargingCurrent* and *ChargingVoltage* are set to the appropriate value per the charging algorithm, and the *[OCD]* flag in *SafetyStatus* is reset.

Short-Circuit During Charging (SC Chg)

The bq33100 short-circuit during charging protection is executed by the integrated AFE is configured by the bq33100 data flash **SC Chg Cfg** register.

When the integrated AFE detects a short circuit fault the charge FET is turned off and the *[SCC]* flag in *SafetyStatus* is set, the internal current recovery timer is reset and *ChargingCurrent* and *ChargingVoltage* are set to 0.

The recovery is controlled by the bq33100 and requires that *AverageCurrent* be \leq **SC Recovery** threshold and that the internal AFE current recovery timer \geq **Current Recovery Time**.

When the recovery condition is detected, *ChargingCurrent* and *ChargingVoltage* are set to the appropriate value per the charging algorithm, and the *[SCC]* flag in *SafetyStatus* is reset.

Short-Circuit During Discharging (SC Dsg)

The bq33100 short-circuit during discharging detection is executed by the integrated AFE is configured by the bq33100 data flash **SC Dsg Cfg** register.

When the integrated AFE detects a short circuit fault the charge FET is turned off and the *[SCD]* flag in *SafetyStatus* is set, the internal current recovery timer is reset and *ChargingCurrent* and *ChargingVoltage* are set to 0.

The recovery is controlled by the bq33100 and requires that *Current* be \leq **SC Recovery** threshold and that the internal AFE current recovery timer \geq **Current Recovery Time**.

When the recovery condition is detected, *ChargingCurrent* and *ChargingVoltage* are set to the appropriate value per the charging algorithm, and the *[SCD]* flag in *SafetyStatus* is reset.

AFE Watchdog (WDF)

The integrated AFE automatically turns off the CHG FET and sets the *[WDF]* flag in *SafetyStatus* if the integrated AFE does not receive the appropriate frequency on the internal watchdog input (WDI) signal.

Integrated AFE Communication Fault (AFE_C)

The bq33100 periodically validates its read and write communications with the integrated AFE. If either a read or write verify fails, an internal *AFE_Fail_Counter* is incremented. If the *AFE_Fail_Counter* reaches **AFE Fail Limit**, the bq33100 sets the *[AFE_C]* flag in *SafetyStatus*. An AFE communication fault condition can also be declared if, after a full reset, the initial gain and offset values read from the AFE cannot be verified. These values are A to D readings of the integrated AFE VCx signal. The integrated AFE offset values are verified by reading the values twice and confirming that the readings are within acceptable limits. The maximum number of read retries, if offset and gain value verification fails and *[AFE_C]* fault is declared, is set in **AFE Fail Limit**

If the **AFE Fail Limit** is set to 0, this feature is disabled..

Data Flash Fault (DFF)

The bq33100 can detect if the data flash is not operating correctly. A permanent failure is reported when either: (i) After a full reset the instruction flash checksum does not verify; (ii) if any data flash write does not verify; or (iii) if any data flash erase does not verify

When a data flash fault is detected then the *[DFF]* flag in *SafetyStatus* is set.

FAULT Indication (FAULT Pin)

The bq33100 provides the status of the safety detection via *SafetyStatus*. To provide an extra indication of a fault state (*SafetyStatus* \neq 0x00) the bq33100 will set the FAULT pin (pin 15) if the corresponding *SafetyStatus* bit is set in **Fault Cfg**.

Operating Power Modes

The bq33100 has two operating power modes, Normal and Shutdown Mode.

Normal Mode - During normal operation, the bq33100 takes *Current*, *Voltage* and *Temperature* measurements, performs calculations, updates SBS data, and makes protection and status decisions at one-second intervals. Between these periods of activity, the bq33100 is in a reduced power state.

Shutdown - The bq33100 enters Shutdown mode if the following conditions are met:

- $V_{VCCPACK} \leq$ Minimum Operating voltage
- *ManufacturerAccess*: *Shutdown* command received AND *Current* = 0 AND *Voltage* < **Shutdown Voltage** threshold.

Upon initial power up or a reset of the bq33100, application of a voltage > $V_{STARTUP}$ must be applied to the VCCPACK pin. The bq33100 will then power up and enter Normal Mode.

Security (Enables and Disables Features)

There are two levels of secured operation within the bq33100, Sealed and Unsealed. To switch between the levels, different operations are needed with different codes.

1. Unsealed to Sealed — The use of the *Seal* command instructs the bq33100 to limit access to the SBS functions and data flash space and sets the *[SS]* flag. In sealed mode, available standard SBS functions have access per the Smart Battery Data Specification (SBS). Extended SBS Functions and data flash are not accessible. Once in sealed mode, the part can never permanently return to Unsealed mode.

2. Sealed to Unsealed — Instructs the bq33100 to extend access to the SBS and data flash space and clears the *[SS]* flag. In unsealed mode, all data, SBS, and DF have read/write access. Unsealing is a 2 step command performed by writing the 1st word of the *UnSealKey* to *ManufacturerAccess* followed by the second word of the *UnSealKey* to *ManufacturerAccess*. The unseal key can be read and changed via the extended SBS block command *UnSealKey* when in Unsealed Mode. To return to the Sealed mode, either a hardware reset is needed, or the *ManufacturerAccess Seal* command is needed.

Communications

The bq33100 uses SMBus v1.1 with optional packet error checking (PEC) per the SMBus specification.

bq33100 Slave Address

The bq33100 uses the address 0x16 on SMBus for communication.

SMBus On and Off State

The bq33100 detects an SMBus off state when SCL and SDA are logic-low for ≥ 2 seconds. Clearing this state requires either SCL or SDA to transition high. Within 1 ms, the communication bus is available.

Packet Error Checking

The bq33100 can receive data with or without PEC.

In the write-word protocol, the bq33100 receives the PEC after the last byte of data from the host. If the host does not support PEC, the last byte of data is followed by a stop condition. After receipt of the PEC, the bq33100 compares the value to its calculation. If the PEC is correct, the bq33100 responds with an ACKNOWLEDGE. If it is not correct, the bq33100 responds with a NOT ACKNOWLEDGE. If the host supports PEC, the **[HPE]** bit in **Operation Cfg** should be set to 1.

SBS COMMANDS

All SBS Values are updated in 1-second intervals. The extended SBS commands are only available when the bq33100 device is in unsealed mode.

SBS Command Summary

Table 6. SBS COMMANDS

SBS Cmd	Mode	Name	Format	Size in Bytes	Min Value	Max Value	Default Value	Unit
0x00	R/W	ManufacturerAccess	hex	2	0x0000	0xffff	—	

Table 6. SBS COMMANDS (continued)

SBS Cmd	Mode	Name	Format	Size in Bytes	Min Value	Max Value	Default Value	Unit
0x08	R	Temperature	unsigned int	2	0	65535	—	0.1degK
0x09	R	Voltage	unsigned int	2	0	65535	—	mV
0x0a	R	Current	signed int	2	-32768	32767	—	mA
0x0b	R	ESR	unsigned int	2	0	65535	—	mΩ
0x0d	R	RelativeStateOfCharge	unsigned int	1	0	100	—	%
0x0e	R	Health	unsigned int	1	0	100	—	%
0x10	R	Capacitance	unsigned int	2	0	65535	—	F
0x14	R	ChargingCurrent	unsigned int	2	0	65534	—	mA
0x15	R	ChargingVoltage	unsigned int	2	0	65534	—	mV
0x3b	R	CapacitorVoltage5	unsigned int	2	0	65534	—	mV
0x3c	R	CapacitorVoltage4	unsigned int	2	0	65535	—	mV
0x3d	R	CapacitorVoltage3	unsigned int	2	0	65535	—	mV
0x3e	R	CapacitorVoltage2	unsigned int	2	0	65535	—	mV
0x3f	R	CapacitorVoltage1	unsigned int	2	0	65535	—	mV

Table 7. EXTENDED SBS COMMANDS

SBS Cmd	Mode	Name	Format	Size in Bytes	Min Value	Max Value	Default Value	Unit
0x50	R	SafetyAlert	Hex	2	0x0000	0xffff	—	
0x51	R	SafetyStatus	Hex	2	0x0000	0xffff	—	
0x54	R	OperationStatus	Hex	2	0x0000	0xf7f7	—	
0x5a	R	SystemVoltage	unsigned int	2	0	65535	—	mV
0x60	R/W	UnSealKey	Hex	4	0x00000000	0xffffffff	—	
0x70	R/W	ManufacturerInfo	String	31+1	—	—	—	

SBS Command Details

The following provides detailed descriptions of the SBS Commands

ManufacturerAccess (0x00)

This read- or write-word function provides Super Capacitor data to system along with access to bq33100 controls and security features.

Table 8. ManufacturerAccess

SBS Cmd	Mode	Name	Format	Size in Bytes	Min Value	Max Value	Default Value	Unit
0x00	R/W	ManufacturerAccess	hex	2	0x0000	0xffff	-	

Table 9. MAC Command Summary Table

SBS Cmd	Mode	Name	Description
0x0001	R	Device Type	Returns the IC part number.
0x0002	R	Firmware Version	Returns the firmware version.
0x0003	R	Hardware Version	Returns the hardware version
0x0004	R	DF Checksum	Generates a checksum of the full Data Flash (DF) array
0x0020	W	Seal	Enters Sealed mode with limited access to the extended SBS functions and data flash space

Table 9. MAC Command Summary Table (continued)

SBS Cmd	Mode	Name	Description
0x0021	R/W	Lifetime and Capacitor Balancing Enable	0 = Disables logging of lifetime data to non-volatile memory and disables capacitor balancing 1 = Enables logging of lifetime data to non-volatile memory and enables capacitor balancing
0x0022	R	IF Checksum	Returns the value of the Instruction Flash (IF) checksum
0x0023	W	Learn	This write function instructs the bq33100 to enter a capacitance learning cycle(Capacitance Update).
0x0024	W	Learn Value Reset	This write function instructs the bq33100 to reset the capacitance learned values (Capacitance) to initial default values.
0x0025	W	Learn Initialization	This write function instructs the bq33100 to enter a capacitance learning cycle(Capacitance Update) and update Initial values for Capacitance and ESR
0x0030	W	FAULT Activation	Drives the FAULT pin high
0x0031	W	FAULT Clear	Sets FAULT pin low
0x0032	W	Charge Level Nominal	Drives the CHGLVL0,1 pins low
0x0033	W	Charge Level A	Drives the CHGLVL0,1 pins high, low
0x0034	W	Charge Level B	Drives the CHGLVL0,1 pins low, high
0x0035	W	Charge Level Max	Drives the CHGLVL0,1 pins high
0x0036	R	Read AD Current	Read A-to-D Converter Current Measurement
0x0037	W	Learn Load Activation	Drives the LLEN pin high (does not activate actual learning algorithm, see 0x0023)
0x0038	W	Learn Load Clear	Sets the LLEN pin low
0x0040	W	Calibration Mode	Places bq33100 into calibration mode
0x0041	W	Reset	bq33100 undergoes complete reset
<i>Unseal Key</i>	W	Unseal Device	Enables access to SBS and DF space
<i>Extended SBS</i>	R/W	<i>Extended SBS Commands</i>	Access to Extended SBS commands

Device Type (0x0001)

Returns the IC part number.

Table 10. Device Type

SBS Cmd	Mode	Name	Format	Size in Bytes	Min Value	Max Value	Default Value	Unit
0x0001	R	Device Type	Hex	2	-	-	-	

Firmware Version (0x0002)

Returns the firmware version. The format is most-significant byte (MSB) = Decimal integer, and the least-significant byte (LSB) = sub-decimal integer, e.g.: 0x0120 = version 01.20.

Table 11. Firmware Version

SBS Cmd	Mode	Name	Format	Size in Bytes	Min Value	Max Value	Default Value	Unit
0x0002	R	Firmware Version	Hex	2	-	-	-	

Hardware Version (0x0003)

Returns the hardware version stored in a single byte of reserved data flash. e.g.: 0x00a7 = Version A7.

Table 12. Hardware Version

SBS Cmd	Mode	Name	Format	Size in Bytes	Min Value	Max Value	Default Value	Unit
0x00	R	Hardware Version	Hex	2	-	-	-	

DF Checksum (0x0004)

This function is only available when the bq33100 is in unsealed mode, indicated by the [SS] *OperationStatus* flag. A write to this command forces the bq33100 to generate a checksum of the full Data Flash (DF) array. The generated checksum is then returned within 45 ms.

NOTE: If another SMBus command is received while the checksum is being generated, the DF Checksum is generated but the response may time out.

Table 13. DF Checksum

SBS Cmd	Mode	Name	Format	Size in Bytes	Min Value	Max Value	Default Value	Unit
0x0004	R	DF Checksum	Hex	2	-	-	-	

Seal Device (0x0020)

Instructs the bq33100 to limit access to the extended SBS functions and data flash space, sets the [SS] flag. This command is only available when the bq33100 is in Unsealed mode. See "Security" chapter in this document for detailed information.

Lifetime and Capacitor Balancing Enable (0x0021)

Enables/Disables the logging of Lifetime data to non-volatile memory and Capacitor balancing

FAULT Activation (0x0030)

This command drives the FAULT pin high. This command is only available when the bq33100 is in Unsealed mode.

FAULT Clear (0x0031)

This command sets the FAULT pin back to low. This command is only available when the bq33100 is in Unsealed mode.

CHGLVL0 Activation (0x0032)

This command drives the CHGLVL0 pin high. This command is only available when the bq33100 is in Unsealed mode.

CHGLVL0 Clear (0x0033)

This command sets the CHGLVL0 pin back to low. This command is only available when the bq33100 is in Unsealed mode.

CHGLVL1 Activation (0x0033)

This command drives the CHGLVL0 pin high. This command is only available when the bq33100 is in Unsealed mode.

CHGLVL1 Clear (0x0034)

This command sets the CHGLVL0 pin back to low. This command is only available when the bq33100 is in Unsealed mode.

Learn Load Activation (0x0037)

This command drives the LLEN pin high. This command is only available when the bq33100 is in Unsealed mode.

Learn Load Clear (0x0038)

This command sets the LLEN pin back to low. This command is only available when the bq33100 is in Unsealed mode.

Calibration Mode (0x0040)

Places the bq33100 into calibration mode. This command is only available when the bq33100 is in Unsealed mode

Reset (0x0041)

The bq33100 undergoes a full reset. The bq33100 holds the clock line down for a few milliseconds to complete the reset. If *ChargingVoltage* < *Voltage* after a reset, then the pack is discharged using the capacitor voltage balancing circuitry. This command is only available when the bq33100 is in Unsealed mode.

Unseal Device (UnsealKey)

Instructs the bq33100 to enable access to the SBS functions and data flash space and clear the [SS] flag. This 2 step command needs to be written to *ManufacturerAccess* in the following order: 1st word of the UnSealKey followed by the 2nd word of the UnSealKey. If the command fails 4 seconds must pass before the command can be reissued. This command is only available when the bq33100 is in Sealed mode. See "Security" chapter in this document for detailed information.

Extended SBS Commands

Also available via *ManufacturerAccess* in sealed mode are some of the extended SBS commands. The result of these commands need to be read from *ManufacturerAccess* after a write to *ManufacturerAccess*.

Temperature (0x08)

This read-word function returns an unsigned integer value of the temperature in units of 0.1°K, as measured by the bq33100. It has a range of 0 to 6553.5°K. The source of the measured temperature is configured by the [TEMP1] and [TEMPO] bits in the **Operation Cfg** register.

Table 14. Temperature

SBS Cmd	Mode	Name	Format	Size in Bytes	Min Value	Max Value	Default Value	Unit
0x08	R	Temperature	Unsigned Integer	2	0	65535	-	0.1°K

Voltage (0x09)

This read-word function returns an unsigned integer value of the sum of the individual Super Capacitor voltage measurements in mV with a range of 0 to 20000 mV

Table 15. Voltage

SBS Cmd	Mode	Name	Format	Size in Bytes	Min Value	Max Value	Default Value	Unit
0x09	R	Voltage	Unsigned Integer	2	0	20000	-	mV

Current (0x0a)

This read-word function returns a signed integer value of the measured current being supplied (or accepted) by the super capacitor pack in mA, with a range of –32,768 to 32,767. A positive value indicates charge current and a negative value indicates discharge.

Any current value within the **Deadband** will be reported as 0 mA by the *Current* function.

Table 16. Current

SBS Cmd	Mode	Name	Format	Size in Bytes	Min Value	Max Value	Default Value	Unit
0x0a	R	Current	Unsigned Integer	2	-32768	32767	-	mA

ESR (0x0b)

This read-word function returns an unsigned integer value of the Super Capacitor array total ESR in mΩ with a range of 0 to 65535mΩ

Table 17. ESR

SBS Cmd	Mode	Name	Format	Size in Bytes	Min Value	Max Value	Default Value	Unit
0x0b	R	ESR	Unsigned Integer	2	0	65535	-	mΩ

RelativeStateofCharge (0x0d)

This read-word function returns an unsigned integer value of the predicted remaining super capacitor capacitance expressed as a percentage of *Capacitance* with a range of 0 to 100%, with fractions of % rounded up.

If the **[RSOCL]** bit in **Operation Cfg** is set then *RelativeStateofCharge* is held at 99% until primary charge termination occurs and only displays 100% upon entering primary charge termination.

If the **[RSOCL]** bit in **Operation Cfg** is cleared then *RelativeStateofCharge* is not held at 99% until primary charge termination occurs. Fractions of % greater than 99% are rounded up to display 100%.

Table 18. RelativeStateofCharge

SBS Cmd	Mode	Name	Format	Size in Bytes	Min Value	Max Value	Default Value	Unit
0x0d	R	RelativeStateofCharge	Unsigned Integer	1	0	100	-	%

Health (0x0e)

This read-word function returns an unsigned integer value of the predicted health of the super capacitor pack expressed as a percentage of *Capacitance / InitialCapacitance* with a range of 0 to 100%, with fractions of % rounded up.

Table 19. Health

SBS Cmd	Mode	Name	Format	Size in Bytes	Min Value	Max Value	Default Value	Unit
0x0e	R	Health	Unsigned Integer	1	0	100	-	%

Capacitance (0x10)

This read- or write-word function returns an unsigned integer value, with a range of 0 to 65535, of the predicted full charge capacitance in the super capacitor pack. This value is expressed in F.

Table 20. Capacitance

SBS Cmd	Mode	Name	Format	Size in Bytes	Min Value	Max Value	Default Value	Unit
0x10	R/W	Capacitance	Unsigned Integer	2	0	65534	-	F

ChargingCurrent (0x14)

This read-word function returns an unsigned integer value of the desired charging current, in mA, with a range of 0 to 65534.

Table 21. ChargingCurrent

SBS Cmd	Mode	Name	Format	Size in Bytes	Min Value	Max Value	Default Value	Unit
0x14	R	ChargingCurrent	Unsigned Integer	2	0	65534	-	mA

ChargingVoltage (0x15)

This read-word function returns an unsigned integer value of the desired charging voltage, in mV, where the range is 0 to 65534.

Table 22. ChargingVoltage

SBS Cmd	Mode	Name	Format	Size in Bytes	Min Value	Max Value	Default Value	Unit
0x15	R	ChargingVoltage	Unsigned Integer	2	0	65534	-	mV

CapacitorVoltage5..1 (0x3b..0x3f)

These read-word functions return an unsigned value of the calculated individual capacitor voltages, in mV, with a range of 0 to 65535. *CapacitorVoltage1* corresponds to the bottom most series capacitor element, while *CapacitorVoltage5* corresponds to the top most series capacitor element.

Table 23. CapacitorVoltage5..1

SBS Cmd	Mode	Name	Format	Size in Bytes	Min Value	Max Value	Default Value	Unit
0x3b	R	CapacitorVoltage5	Unsigned Integer	2	0	65535	-	mV
0x3c		CapacitorVoltage4						
0x3d		CapacitorVoltage3						
0x3e		CapacitorVoltage2						
0x3f		CapacitorVoltage1						

Extended SBS Commands

Also available via *ManufacturerAccess* in sealed mode are some of the extended SBS commands. The commands available are listed below. The result of these commands need to be read from *ManufacturerAccess* after a write to *ManufacturerAccess*.

FETControl(0x46)

This write/read-word function allows direct control of the CHG FET for test purposes. The bq33100 overrides this command unless in normal mode.

Table 24. FETControl

SBS Cmd	Mode	Name	Format	Size in Bytes	Min Value	Max Value	Default Value	Unit
0x46	R	FETControl	hex	2	0x0000	0xffff	-	

	bit 7	bit 6	bit 5	bit 4	bit 3	bit 2	bit 1	bit 0
High Byte	RSVD	RSVD	RSVD	RSVD	RSVD	RSVD	RSVD	RSVD
Low Byte	RSVD	RSVD	RSVD	RSVD	RSVD	CHG	RSVD	RSVD

LEGEND: All Values Read-Only

CHG — Charge (CHG) FET Control

0 = CHG FET is turned OFF.

1 = CHG FET is turned ON.

SafetyAlert (0x50)

This read-word function returns indications of pending safety issues, such as running safety timers, or fail counters that are nonzero but have not reached the required time or value to trigger a *SafetyStatus* failure. These flags do not cause the FAULT pin to be set.

Table 25. SafetyAlert

SBS Cmd	Mode	Name	Format	Size in Bytes	Min Value	Max Value	Default Value	Unit
0x50	R	SafetyAlert	hex	2	0x0000	0xffff	-	

	bit 7	bit 6	bit 5	bit 4	bit 3	bit 2	bit 1	bit 0
High Byte	CLBAD	RSVD	RSVD	RSVD	RSVD	OTC	CIM	OV
Low Byte	RSVD	RSVD	RSVD	RSVD	OCC	OCD	SCC	SCD

LEGEND: All Values Read-Only

CLBAD 1 = Excessive capacitor leakage alert

OTC 1 = Charge overtemperature alert

CIM 1 = Capacitor voltage imbalance permanent failure alert

OV 1 = Capacitor overvoltage alert

OCC 1= Overcurrent during charge alert

OCD 1= AFE overcurrent during discharge alert

SCC 1= AFE short circuit during charge alert

SCD 1= AFE short circuit during discharge alert

SafetyStatus (0x51)

This read-word function returns the status of the safety features. These flags do not cause the FAULT pin to be set unless the corresponding bit in *FAULT Cfg* is set.

Table 26. SafetyStatus

SBS Cmd	Mode	Name	Format	Size in Bytes	Min Value	Max Value	Default Value	Unit
0x51	R	SafetyStatus	hex	2	0x0000	0xffff	-	

	bit 7	bit 6	bit 5	bit 4	bit 3	bit 2	bit 1	bit 0
High Byte	CLBAD	HWARN	HLOW	RSVD	RSVD	OTC	CIM	OV
Low Byte	DFF	RSVD	AFE_C	WDF	OCC	OCD	SCC	SCD

LEGEND: All Values Read-Only

- CLBAD** 1 = Excessive capacitor leakage fault
HWARN 1 = Health low warning
HLOW 1 = Health low indication
OTC 1 = Charge overtemperature fault
CIM 1 = Capacitor voltage Imbalance fault
OV 1 = Capacitor overvoltage fault
DFF 1 = Data Flash Fault permanent failure fault
AFE_C 1 = Permanent AFE Communications failure fault
WDF 1 = AFE Watchdog fault
OCC 1= Overcurrent during charge fault
OCD 1= AFE overcurrent during discharge fault
SCC 1= AFE short circuit during charge fault
SCD 1= AFE short circuit during discharge fault

OperationStatus (0x54)

This read-word function returns the current operation status

Table 27. OperationStatus

SBS Cmd	Mode	Name	Format	Size in Bytes	Min Value	Max Value	Default Value	Unit
0x54	R	OperationStatus	hex	2	0x0000	0xf7f7	-	

	bit 7	bit 6	bit 5	bit 4	bit 3	bit 2	bit 1	bit 0
High Byte	RSVD	DSG	SS	FC	LTE	RSVD	RSVD	CB
Low Byte	LDTO	LCTO	LPASS	CL	RSVD	CFET	RSVD	RSVD

DSG Discharging

0 = bq33100 is in charging mode

1 = bq33100 is in discharging mode, relaxation mode, or valid charge termination has occurred

- SS** 1 = Sealed security mode
FC 1 = Fully Charged
LTE 1 = Lifetime data and CHG FET operation enabled
CB 1 = Capacitor voltage balancing in progress
CL 1 = Capacitance learning in progress
LPASS 1 = Learning complete and successful
LCTO 1 = Learning charging phase time out
LDTO 1 = Learning discharging phase time out

SystemVoltage (0x5a)

This read-word function returns an unsigned integer value of the voltage at VCC (pin 24) in mV with a range of 0 to 20000 mV

Table 28. SystemVoltage

SBS Cmd	Mode	Name	Format	Size in Bytes	Min Value	Max Value	Default Value	Unit
0x5a	R	SystemVoltage	Unsigned Integer	2	0	20000	-	mV

UnSealKey(0x60)

This read- or write-block command allows the user to change the Unseal key for the Sealed-to-Unsealed security-state transition. This function is only available when the bq33100 is in the Unsealed mode, indicated by a cleared *[SS]* flag.

The order of the bytes, when entered in *ManufacturerAccess*, is the reverse of what is written to or read from the part. For example, if the 1st and 2nd word of the UnSealKey block read returns 0x1234 and 0x5678, then in *ManufacturerAccess*, 0x3412 and 0x7856 should be entered to unseal the part.

Table 29. UnSealKey

SBS Cmd	Mode	Name	Format	Size in Bytes	Min Value	Max Value	Default Value	Unit
0x60	R/W	UnSealKey	Hex	4	0x00000000	0xffffffff	-	

ManufacturerInfo(0x70)

This read/write block function returns the data stored in Manuf. Info where byte 0 is the MSB with a maximum length of 31 data + 1 length byte. When the bq33100 is in Unsealed mode, this block is read/write. When the bq33100 is in Sealed mode, this block is read only.

Table 30. ManufacturerInfo

SBS Cmd	Mode	Name	Format	Size in Bytes	Min Value	Max Value	Default Value	Unit
0x70	R/W	ManufacturerInfo	String	31+1	-	-	-	

DATA FLASH**CAUTION**

Care should be taken when mass programming the data flash space using previous versions of data flash memory map files (such as *.gg files) to make sure that all public locations are updated correctly.

Data Flash can only be updated if *Voltage* ≥ **Flash Update OK Voltage**. Data flash reads and writes are verified according to the method detailed in the "Data Flash Fault Detection" section of this data sheet.

Accessing Data Flash

In different security modes, the data flash access conditions change. See "Security" and "ManufacturerAccess" sections for further details.

Data Flash Interface

The bq33100 data flash is organized into subclasses where each data flash variable is assigned an offset within its numbered subclass. For example: the OT Time location is defined as:

- Class = Safety
- SubClass = Temperature = 2
- Offset = 2

Note: Data Flash commands are NACKed if the bq33100 is in sealed mode (*[SS]* flag is set).

Each subclass can be addressed individually by using the *DataFlashSubClassID* (0x77) command and the data within each subclass is accessed by using the *DataFlashSubClassPage1..8* (0x78...0x7f) commands. Reading

and Writing subclass data are block operations which are each 32 Bytes long. Data can be written in shorter block sizes, however. The final block in one subclass can be shorter than 32 bytes so care must be taken not to write over the subclass boundary. None of the values written are bounded by the bq33100 and the values are not rejected by the bq33100. Writing an incorrect value may result in hardware failure due to firmware program interpretation of the invalid data. The data written is persistent, so a Power On Reset does resolve the fault.

Data Flash Summary

The following notation is used in the following table with regards to the Data Type column:

The Alpha Character

- H = Hexadecimal value
- I = Integer value
- S = String
- U = Unsigned Integer value

The **Numeric Value** following the Alpha Character is the length of the data in bytes, eg: **OT Time** Data Type = U1 = Unsigned Integer of 1 byte in length

Table 31. DATA FLASH VALUES

Class	Subclass ID	Subclass	Offset	Name	Data Type	Min Value	Max Value	Default Value	Units (EVSU Units)*
Safety	0	Voltage	0	OV Threshold	I2	0	1000	100	mV
Safety	0	Voltage	2	OV Recovery	I2	-500	1000	0	mV
Safety	0	Voltage	4	OV Time	U1	0	255	2	s
Safety	0	Voltage	5	CIM Voltage	I2	0	5000	550	mV
Safety	0	Voltage	7	CIM Time	U1	0	240	10	s
Safety	0	Voltage	8	CIM Recovery	I2	0	5000	500	mV
Safety	0	Voltage	10	Min CIM Check Voltage	U2	0	65535	1000	mV
Safety	1	Current	0	OC Chg	I2	0	5000	1000	mA
Safety	1	Current	2	OC Chg Time	U1	0	240	5	s
Safety	1	Current	3	OC Chg Recovery	I2	-1000	5000	900	mA
Safety	1	Current	5	CLBAD Current	I2	0	30000	15	mA
Safety	1	Current	7	CLBAD Time	U1	0	240	60	s
Safety	1	Current	8	CLBad Recovery	I2	0	1000	10	mA
Safety	1	Current	10	Current Recovery Time	U1	0	240	5	s
Safety	1	Current	11	OC Dsg	H1	0	f	F	hex
Safety	1	Current	12	OC Dsg Time	H1	0	f	F	hex
Safety	1	Current	13	OC Dsg Recovery Time	I2	0	1000	5	mA
Safety	1	Current	15	SC Chg Cfg	H1	0	f7	F4	hex
Safety	1	Current	16	SC Dsg Cfg	H1	0	f7	f7	hex
Safety	1	Current	17	SC Recovery	I2	0	200	1	mA
Safety	2	Temperature	0	OT Chg	I2	0	1200	680	0.1 degC (degC)
Safety	2	Temperature	2	OT Chg Time	U1	0	240	2	s
Safety	2	Temperature	3	OT Chg Recovery	I2	0	1200	630	0.1 degC (degC)
Safety	3	AFE Verification	1	AFE Fail Limit	U1	0	255	100	num
Safety	3	AFE Verification	3	AFE Init Retry Limit	U1	0	255	6	num
Safety	3	AFE Verification	4	AFE Init Limit	U1	0	255	20	cnt
Charge Control	34	Charge Cfg	0	Chg Voltage	I2	0	32767	8400	mV
Charge Control	34	Charge Cfg	2	Chg Current	I2	0	20000	500	mA
Charge Control	34	Charge Cfg	4	Chg Enable Delay	U2	0	65000	0	ms

Table 31. DATA FLASH VALUES (continued)

Class	Subclass ID	Subclass	Offset	Name	Data Type	Min Value	Max Value	Default Value	Units (EVSW Units)*
Charge Control	35	Full Charge Cfg	0	Taper Current	I2	0	1000	3	mA
Charge Control	35	Full Charge Cfg	2	Taper Voltage	I2	0	1000	100	mV
Charge Control	35	Full Charge Cfg	4	Current Taper Window	U1	0	240	2	s
Charge Control	35	Full Charge Cfg	5	FC Set %	I1	-1	100	-1	%
Charge Control	35	Full Charge Cfg	6	FC Clear %	I1	-1	100	98	%
Charge Control	36	Capacitor Voltage Balancing Cfg	0	CB Threshold	I2	0	5000	1500	mV
Charge Control	36	Capacitor Voltage Balancing Cfg	2	CB Min	U1	0	255	5	mV
Charge Control	36	Capacitor Voltage Balancing Cfg	3	CB Restart	U1	0	255	10	mV
System Data	48	Data	0	Design Voltage	I2	0	25000	10500	mV
System Data	48	Data	2	Manuf Date	U2	0	65535	0	Day + Mo*32 + (Yr -1980)*256 (date)
System Data	48	Data	4	Ser. Num.	H2	0	0xffff	1	hex
System Data	48	Data	6	Design Capacitance	I2	0	65535	250	F
System Data	48	Data	8	Init 1st Capacitance	I2	0	65535	250	F
System Data	48	Data	10	Capacitance	I2	0	65535	250	F
System Data	48	Data	12	Design ESR	I2	0	65535	320	mΩ
System Data	48	Data	14	Initial ESR	I2	0	65535	320	mΩ
System Data	48	Data	16	ESR	I2	0	65535	320	mΩ
System Data	48	Data	18	Manuf Name	S12	x	x	Texas inst.	-
System Data	48	Data	30	Device Name	S8	x	x	bq33100	-
System Data	48	Data	38	Init safety Status	H2	0	0xffff	0	hex
System Data	56	Manufacturer Data	0	Pack Lot Code	H2	0	0xffff	0	-
System Data	56	Manufacturer Data	2	PCB Lot Code	H2	0	0xffff	0	-
System Data	56	Manufacturer Data	4	Firmware Version	H2	0	0xffff	0	-
System Data	56	Manufacturer Data	6	Hardware Version	H2	0	0xffff	0	-
System Data	58	Manufacturer Info	0	Manu. Info	S32	x	x	0123456789A BCDEF01234 56789ABCDE	-
System Data	59	Lifetime Data	0	Lifetime Max Temp	I2	0	1400	0	0.1 degC (degC)
System Data	59	Lifetime Data	2	Lifetime Min Temp	I2	-600	1400	500	0.1 degC (degC)
System Data	59	Lifetime Data	4	Lifetime Max Capacitor Vol	I2	0	32767	0	mV
Configuration	64	Registers	0	Operation Cfg	H2	0	0xFFFF	0x0408	flg
Configuration	64	Registers	4	FET Action	H2	0	0xFFFF	0	flg
Configuration	64	Registers	8	Fault	H2	0	0xFFFF	0	flg
Configuration	65	AFE	1	AFE State_CTL	H1	0	ff	0	flg
Configuration	67	Power	0	Flash Update OK Voltage	I2	0	20000	4000	mV
Configuration	67	Power	2	Shutdown Voltage	I2	0	5500	4000	mV
Monitoring	86	System Requirement	0	Min Power	I2	0	16800	10	10mW
Monitoring	86	System Requirement	2	Required Time	I2	0	32767	60	s
Monitoring	86	System Requirement	4	Min Voltage	I2	0	10000	4000	mV

Table 31. DATA FLASH VALUES (continued)

Class	Subclass ID	Subclass	Offset	Name	Data Type	Min Value	Max Value	Default Value	Units (EVSW Units)*
Monitoring		System Requirement		Q Low Warning %	U1	0	100	100	%
Monitoring	87	Charging Voltage	0	V Chg Nominal	I2	0	25000	10400	mV
Monitoring	87	Charging Voltage	2	V Chg A	I2	0	25000	11125	mV
Monitoring	87	Charging Voltage	4	V Chg B	I2	0	25000	11875	mV
Monitoring	87	Charging Voltage	6	V Chg Max	I2	0	25000	12500	mV
Monitoring	87	Charging Voltage	8	V Learn Max	I2	0	25000	12500	mV
Monitoring	88	Learning Configuration	0	Learning Frequency	U1	0	255	2	week
Monitoring	88	Learning Configuration	1	Measurement Margin %	U1	0	100	10	%
Monitoring	88	Learning Configuration	2	Max Charge Timeout	I2	0	32767	300	s
Monitoring	88	Learning Configuration	4	Max Discharge Timeout	I2	0	32767	10	s
Monitoring	88	Learning Configuration	6	Learn Delta Voltage	I2	0	2000	500	mV
Monitoring	88	Learning Configuration	8	Cap Start Time	U2	0	65535	320	ms
Monitoring	81	Data	0	Dsg Current Threshold	I2	0	2000	10	mA
Monitoring	81	Data	2	Chg Current Threshold	I2	0	2000	0	mA
Calibration	104	Data	0	CC Offset	F4	1.00E-01	4.00E+00	0.47095	mΩ
Calibration	104	Data	4	CC Delta	F4	2.98E+04	1.19E+06	140466.3	mΩ
Calibration	104	Data	8	Cap 1 K-factor	I2	0	32767	20500	-
Calibration	104	Data	10	Cap 2 K-factor	I2	0	32767	20500	-
Calibration	104	Data	12	Cap 3 K-factor	I2	0	32767	20500	-
Calibration	104	Data	14	Cap 4 K-factor	I2	0	32767	20500	-
Calibration	104	Data	16	Cap 5 K-factor	I2	0	32767	20500	-
Calibration	104	Data	18	K-factor override flag	H2	0	0xFFFF	0	num
Calibration	104	Data	20	System Voltage K-factor	I2	0	32767	24500	-
Calibration	104	Data	22	Stack Voltage K-factor	I2	0	32767	24500	-
Calibration	104	Data	24	CC Offset	I2	-32768	32767	-7744	mV
Calibration	104	Data	26	Board Offset	I2	-32768	32767	0	μV
Calibration	104	Data	28	Int Temp Offset	I1	-128	127	0	0.1 °C
Calibration	104	Data	29	Ext Temp Offset	I1	-128	127	0	0.1 °C
Calibration	104	Data	31	ESR Offset	I1	-128	127	0	mΩ
Calibration	105	Config	0	CC Current	I2	0	32767	3000	mA
Calibration	105	Config	2	Voltage Signal	I2	0	32767	12600	mV
Calibration	105	Config	4	Temp Signal	I2	0	32767	298	°K
Calibration	105	Config	6	CC Offset Time	U2	0	65535	250	Calibration OFFset Time
Calibration	105	Config	10	Current Gain Time	U2	0	65535	250	ms
Calibration	105	Config	12	Voltage Time	U2	0	65535	1888	ms
Calibration	105	Config	14	Temperature Time	U2	0	65535	32	ms
Calibration	105	Config	17	Cal Mode Timeout	U2	0	65535	38400	s
Calibration	106	Temp Model	0	Ext Coef a1	I2	-32768	32767	-11130	-
Calibration	106	Temp Model	2	Ext Coef a2	I2	-32768	32767	19142	-
Calibration	106	Temp Model	4	Ext Coef a3	I2	-32768	32767	-19262	-
Calibration	106	Temp Model	6	Ext Coef a4	I2	-32768	32767	28203	-
Calibration	106	Temp Model	8	Ext Coef a5	I2	-32768	32767	892	-
Calibration	106	Temp Model	10	Ext Coef b1	I2	-32768	32767	328	-

Table 31. DATA FLASH VALUES (continued)

Class	Subclass ID	Subclass	Offset	Name	Data Type	Min Value	Max Value	Default Value	Units (EVSU Units)*
Calibration	106	Temp Model	12	Ext Coef b2	I2	-32768	32767	-605	-
Calibration	106	Temp Model	14	Ext Coef b3	I2	-32768	32767	-2443	-
Calibration	106	Current	16	Ext Coef b4	I2	-32768	32767	4696	-
Calibration	106	Current	18	Ext rc0	I2	-32768	32767	11703	-
Calibration	106	Current	20	Ext adc0	I2	-32768	32767	11338	-
Calibration	106	Temp Model	22	Rpad	I2	-32768	32767	87	Ω
Calibration	106	Temp Model	24	Rint	I2	-32768	32767	17740	Ω
Calibration	106	Temp Model	26	Int Coef 1	I2	-32768	32767	0	-
Calibration	106	Temp Model	28	Int Coef 2	I2	-32768	32767	0	-
Calibration	106	Temp Model	30	Int Coef 3	I2	-32768	32767	-12263	-
Calibration	106	Temp Model	32	Int Coef 4	I2	-32768	32767	6106	-
Calibration	106	Temp Model	34	Int Min AD	I2	-32768	32767	0	cnt
Calibration	106	Temp Model	36	Int Max Temp	I2	-32768	32767	6106	0.1 degk (degk)
Calibration	107	Current	0	Filter	U1	0	255	239	num
Calibration	107	Current	1	Dead Band	U1	0	255	5	mA
Calibration	107	Current	2	CC Deadband	U1	0	255	10	294 nV

Specific Data Flash Programming Details

In this section the data flash values that are not detailed elsewhere in this data sheet are shown in detail and others are summarized for easy reference.

OC Dsg

The *OC Dsg* is programmed into the OCDV register of the integrated AFE device. The *OC Dsg* sets the overcurrent in discharging voltage threshold. Changes to this data flash value requires a firmware full reset or a power reset of the bq33100 to take effect.

Table 32. OC Dsg

Subclass ID	Subclass Name	Offset	Name	Format	Size in Bytes	Min Value	Max Value	Default Value	Unit
1	Current	16	OC Dsg	Hex	1	0x00	0x0F	0x0F	-

Table 33. OCDV Register

	bit 7	bit 6	bit 5	bit 4	bit 3	bit 2	bit1	bit 0
AFE OCDV Register	—	—	—	—	OCDV3	OCDV2	OCDV1	OCDV0

0000 is the bq33100 power on reset default.

OCDV3, OCDV2, OCDV1, OCDV0 — Sets the overcurrent voltage threshold in discharging of the integrated AFE.

0x0 - 0xf = sets the short circuit in discharging delay between 0ms - 915ms in 61ms steps.

[RSNS] = 0, 0x0 - 0xf sets the voltage threshold between 50mV and 200mV in 10mV steps.

[RSNS] = 1, 0x0 - 0xf sets the voltage threshold between 20mV and 100mV in 5mV steps.

OCDV (b7...b4) — Not used.

Table 34. OCDV (b2-b0) Configuration Bits with Corresponding Voltage Threshold When STATE_CTL[RSNS] = 0

Setting	Threshold	Setting	Threshold
0x00	0.050 V	0x08	0.130 V
0x01	0.060 V	0x09	0.140 V
0x02	0.070 V	0x0a	0.150 V
0x03	0.080 V	0x0b	0.160 V
0x04	0.090 V	0x0c	0.170 V
0x05	0.100 V	0x0d	0.180 V
0x06	0.110 V	0x0e	0.190 V
0x07	0.120 V	0x0f	0.200 V

Table 35. OCDV (b2-b0) Configuration Bits with Corresponding Voltage Threshold When STATE_CTL[RSNS] = 1

Setting	Threshold	Setting	Threshold
0x00	0.025 V	0x08	0.065 V
0x01	0.050 V	0x09	0.070V
0x02	0.035 V	0x0a	0.075 V
0x03	0.040 V	0x0b	0.080 V
0x04	0.045 V	0x0c	0.085 V
0x05	0.050 V	0x0d	0.090 V
0x06	0.055 V	0x0e	0.095V
0x07	0.060 V	0x0f	0.100 V

OC Dsg Time

The *OC Dsg Time* is programmed into the OCDD register of the integrated AFE device. The *OC Dsg Time* sets the overcurrent in discharging delay. Changes to this data flash value requires a firmware full reset or a power reset of the bq33100 to take effect.

Table 36. OC Dsg Time

Subclass ID	Subclass Name	Offset	Name	Format	Size in Bytes	Min Value	Max Value	Default Value	Unit
1	Current	17	OC Dsg Time	Hex	1	0x00	0x0F	0x0F	-

Table 37. OCDD Register

	bit 7	bit 6	bit 5	bit 4	bit 3	bit 2	bit1	bit 0
AFE OCDD Register	—	—	—	—	OCDD3	OCDD2	OCDD1	OCDD0

0000 is the bq33100 power on reset default.

OCDD3, OCDD2, OCDD1, OCDD0 — Sets the overcurrent in discharging delay of the integrated AFE.

0x0 - 0xf = sets the overvoltage trip delay between 1ms - 31ms in 2ms steps

OCDD (b7...b4) — Not used.

Table 38. OCDD (b7-b4) Configuration Bits with Corresponding Delay Time

Setting	Delay	Setting	Delay	Setting	Delay	Setting	Delay
0x00	1 ms	0x04	9 ms	0x08	17 ms	0x0c	25 ms
0x01	3 ms	0x05	11 ms	0x09	19 ms	0x0d	27 ms
0x02	5 ms	0x06	13 ms	0x0a	21 ms	0x0e	29 ms
0x03	7 ms	0x07	15 ms	0x0b	23 ms	0x0f	31 ms

SC Dsg Cfg

The *SC Dsg Cfg* is programmed into the SCD register of the integrated AFE device. The *SC Dsg Cfg* sets the short circuit in discharging voltage threshold and the short circuit in discharging delay. Changes to this data flash value requires a firmware full reset or a power reset of the bq33100 to take effect.

Table 39. SC Dsg Cfg

Subclass ID	Subclass Name	Offset	Name	Format	Size in Bytes	Min Value	Max Value	Default Value	Unit
1	Current	21	SC Dsg Cfg	Hex	1	0x00	0x0F	0x0F	-

Table 40. SCD Register

	bit 7	bit 6	bit 5	bit 4	bit 3	bit 2	bit1	bit 0
AFE SCD Register	SCDD3	SCDD2	SCDD1	SCDD0	-	SCDV2	SCDV1	SCDV0

0000 is the bq33100 power on reset default.

SCDD3, SCDD2, SCDD1, SCDD0 — Sets the short circuit delay in discharging of the integrated AFE.

0x0 - 0xf = sets the short circuit in discharging delay between 0ms - 915ms in 61ms steps.

If **STATE_CTL[SCDDx2]** is set, the delay time is double of that programmed in this register.

SCDV2, SCDV1, SCDV0 — Sets the short circuit voltage threshold in discharging of the integrated AFE

[RSNS] = 0, 0x0 - 0x7 sets the short circuit voltage threshold between 100mV and 450mV in 50mV steps

[RSNS] = 1, 0x0 - 0x7 sets the short circuit voltage threshold between 50mV and 475mV in 25mV steps

SCD (b3)— Not used.

Table 41. SCDV (b2-b0) Configuration Bits with Corresponding Voltage Threshold When STATE_CTL[RSNS] = 0

Setting	Threshold	Setting	Threshold
0x00	0.100 V	0x04	0.300 V
0x01	0.150 V	0x05	0.350 V
0x02	0.200 V	0x06	0.400 V
0x03	0.250 V	0x07	0.450 V

Table 42. SCDV (b2-b0) Configuration Bits with Corresponding Voltage Threshold When STATE_CTL[RSNS] = 1

Setting	Threshold	Setting	Threshold
0x00	0.050 V	0x04	0.150 V
0x01	0.075 V	0x05	0.175 V
0x02	0.100 V	0x06	0.200 V
0x03	0.125 V	0x07	0.225 V

Table 43. SCDD (b7-b4) Configuration Bits with Corresponding Delay Time

Setting	Delay	Setting	Delay	Setting	Delay	Setting	Delay
0x00	0 us	0x04	244 us	0x08	488 us	0x0c	732 us
0x01	61 us	0x05	305 us	0x09	549 us	0x0d	793 us
0x02	112 us	0x06	366 us	0x0a	610 us	0x0e	854 us
0x03	183 us	0x07	427 us	0x0b	671 us	0x0f	915 us

SC Chg Cfg

The *SC Chg Cfg* is programmed into the SCC register of the integrated AFE device. The *SC Chg Cfg* sets the short circuit in charging voltage threshold and the short circuit in charging delay. Changes to this data flash value requires a firmware full reset or a power reset of the bq33100 to take effect.

Table 44. SC Chg Cfg

Subclass ID	Subclass Name	Offset	Name	Format	Size in Bytes	Min Value	Max Value	Default Value	Unit
1	Current	20	SC Chg Cfg	Hex	1	0x00	0xF7	0xF7	-

Table 45. SCC Register

	bit 7	bit 6	bit 5	bit 4	bit 3	bit 2	bit1	bit 0
AFE SCC Register	SCCD3	SCCD2	SCCD1	SCCD0	-	SCCV2	SCCV1	SCCV0

0000 is the bq33100 power on reset default.

SCCD3, SCCD2, SCCD1, SCCD0 — Sets the short circuit delay in charging of the integrated AFE.

0x0 - 0xf = sets the short circuit in charging delay between 0ms - 915ms in 61ms steps.

If **STATE_CTL[SCDDx2]** is set, the delay time is double of that programmed in this register.

SCCV2, SCCV1, SCCV0 — Sets the short circuit voltage threshold in charging of the integrated AFE

[RSNS] = 0, 0x0 - 0x7 sets the short circuit voltage threshold between 100mV and 450mV in 50mV steps

[RSNS] = 1, 0x0 - 0x7 sets the short circuit voltage threshold between 50mV and 475mV in 25mV steps

SCC (b3) — Not used.

Table 46. SCCV (b2-b0) Configuration Bits with Corresponding Voltage Threshold When STATE_CTL[RSNS] = 0

Setting	Threshold	Setting	Threshold
0x00	-0.100 V	0x04	-0.300 V
0x01	-0.150 V	0x05	n/a
0x02	-0.200 V	0x06	n/a
0x03	-0.250 V	0x07	n/a

Table 47. SCCV (b2-b0) Configuration Bits with Corresponding Voltage Threshold When STATE_CTL[RSNS] = 1

Setting	Threshold	Setting	Threshold
0x00	-0.050 V	0x04	-0.150 V
0x01	-0.075 V	0x05	-0.175 V
0x02	-0.100 V	0x06	-0.200 V
0x03	-0.125 V	0x07	-0.225 V

Table 48. SCCD (b7-b4) Configuration Bits with Corresponding Delay Time

Setting	Delay	Setting	Delay	Setting	Delay	Setting	Delay
0x00	0 us	0x04	244 us	0x08	488 us	0x0c	732 us
0x01	61 us	0x05	305 us	0x09	549 us	0x0d	793 us
0x02	112 us	0x06	366 us	0x0a	610 us	0x0e	854 us
0x03	183 us	0x07	427 us	0x0b	671 us	0x0f	915 us

Initial Full Charge Capacitance

The value of **Initial Full Charge Capacitance** is used in the health and other calculations.

Table 49. Initial Full Charge Capacitance

Subclass ID	Subclass Name	Offset	Name	Format	Size in Bytes	Min Value	Max Value	Default Value	Unit
48	Data	22	Initial Full Charge Capacitance	Integer	2	0	65535	250	F

Full Charge Capacitance

This value is used as the **Full Charge Capacitance** at device reset. This value is updated by the gauging algorithm when a qualified learning cycle has completed.

Table 50. Full Charge Capacitance

Subclass ID	Subclass Name	Offset	Name	Format	Size in Bytes	Min Value	Max Value	Default Value	Unit
48	Data	26	Full Charge Capacitance	Integer	2	0	65535	250	F

Firmware Version

The **ManufacturerAccess** function reports **Firmware Version** as part of its return value.

Table 51. Firmware Version

Subclass ID	Subclass Name	Offset	Name	Format	Size in Bytes	Min Value	Max Value	Default Value	Unit
56	Manufacturer Data	4	Firmware Version	Hex	2	0x0000	0xffff	0x00000	-

Hardware Revision

The **ManufacturerAccess** function reports **Hardware Version** as part of its return value.

Table 52. Hardware Revision

Subclass ID	Subclass Name	Offset	Name	Format	Size in Bytes	Min Value	Max Value	Default Value	Unit
56	Manufacturer Data	6	Hardware Revision	Hex	2	0x0000	0xffff	0x0000	-

Manuf. Info

The **ManufacturerInfo** function returns the string stored in **Manuf. Info**. The maximum text length is 31 characters.

Table 53. Manuf. Info

Subclass ID	Subclass Name	Offset	Name	Format	Size in Bytes	Min Value	Max Value	Default Value	Unit
58	Manufacturer Info	0	Manuf. Info	String	32	-	-	012345678 9ABCDEF0 123456789 ABCDE	

Operation Cfg

This register enables, disables or configures various features of the bq33100.

Table 54. Operation Cfg

Subclass ID	Subclass Name	Offset	Name	Format	Size in Bytes	Min Value	Max Value	Default Value	Unit
64	Registers	0	Operation Cfg	Hex	2	0x0000	0xffff	0x04a8	

Table 55. Operation Cfg Register

	bit 7	bit 6	bit 5	bit 4	bit 3	bit 2	bit 1	bit 0
High Byte	RSVD	RSVD	RSVD	RSVD	RSVD	CC2	CC1	CC0
Low Byte	RSVD	LT_EN	RSVD	TEMP1	TEMP0	RSVD	RSVD	STACK

LEGEND: RSVD = Reserved and must be programmed to 0 unless otherwise specified

CC2, CC1, CC0 —These bits configure the bq33100 for the number of series capacitors in the Super Capacitor stack.

0,0,0 = Reserved

0,0,1 = 2 capacitors

0,1,0 = 3 capacitors (default)

0,1,1 = 4 capacitors

1,0,0 = 5 capacitors

LT_EN — Lifetime Data logging bit; this bit enables or disables Lifetime Data logging from occurring; This bit can be directly set by the *Lifetime Enable* command.

0 = All Lifetime Data logging is prevented from occurring.

1 = All Lifetime Data logging are allowed

TEMP1, TEMP0 —These bits configure the source of the Temperature function

0,0 = Internal Temperature Sensor

0,1 = TS1 Input (default)

1,0 = Greater Value of TS1 or TS2 Inputs

1,1 = Average of TS1 and TS2 Inputs

STACK —This bit configure the bq33100 to measure all series voltages up to 5 series cells or just the stack voltage.

0 = Each series cell is measured and can be balanced up to 5 series capacitors

1 = The capacitor stack is measured and Capacitor Balancing and Cell Imbalance Detection are disabled

FAULT Cfg

The **FAULT Cfg** register enables or disables the use of the FAULT pin when the corresponding bit in *SafetyStatus* is set.

Table 56. FAULT Cfg

Subclass ID	Subclass Name	Offset	Name	Format	Size in Bytes	Min Value	Max Value	Default Value	Unit
64	Registers	8	FAULT Cfg	Hex	2	0x0000	0xffff	0x0000	

Table 57. FAULT Cfg Register

	bit 7	bit 6	bit 5	bit 4	bit 3	bit 2	bit 1	bit 0
High Byte	CLBAD	HFAIL	HWARN	HLOW	RSVD	OTC	CIM	OV
Low Byte	DFF	RSVD	AFE_C	WDF	OCC	OCD	SCC	SCD

CLBAD: Weak capacitor condition

HFAIL: Health fault condition

HWARN: Health warning condition

HLOW: Health low condition

AFE_C: AFE Communications failure condition

CIM: Capacitor voltage imbalance condition

DFF: Data Flash Fault failure condition

OTC: Charge overtemperature condition

OV: Capacitor overvoltage condition

WDF: AFE Watchdog fault condition

OCC: Charge overcurrent condition

OCD: AFE overcurrent on discharge condition

SCC: AFE short circuit on charge condition

SCD: AFE short circuit on discharge condition

AFE State_CTL

This register adjusts the AFE hardware overcurrent and short circuit detection thresholds and delay.

Table 58. AFE State_CTL

Subclass ID	Subclass Name	Offset	Name	Format	Size in Bytes	Min Value	Max Value	Default Value	Unit
65	AFE	1	AFE State_CTL	Hex	1	0x00	0xff	0x00	

Table 59. AFE State_CTL Register

bit 7	bit 6	bit 5	bit 4	bit 3	bit 2	bit 1	bit 0
RSVD	RSVD	SCDDX2	RSNS	RSVD	RSVD	RSVD	RSVD

LEGEND: RSVD = Reserved and must be programmed to 0

SCDDX2— Set this bit to double the SCD delay periods 0 (default) = Short Circuit current protection delay is as programmed

1 = Short Circuit current protection delay is twice that programmed

RSNS— This bit, if set, configures the SCD threshold into a range suitable for a low sense resistor value by dividing the SCDV selected voltage threshold by 2 0 (default) = Current protection voltage thresholds as programmed

1 = Current protection voltage threshold divided by 2 as programmed

Measurement Margin %

Measurement Margin % provides any needed addition margin for measurement error or other error sources

Table 60. Measurement Margin %

Subclass ID	Subclass Name	Offset	Name	Format	Size in Bytes	Min Value	Max Value	Default Value	Unit
86	Capacitance Estimation	0	Measurement Margin %	Unsigned Integer	1	0	100	10	%

Timer

Timer provides the maximum amount of time for a learning cycle to complete

Table 61. Timer

Subclass ID	Subclass Name	Offset	Name	Format	Size in Bytes	Min Value	Max Value	Default Value	Unit
86	Capacitance Estimation	4	Timer	Integer	2	0	32767	10	s

V Chg Nominal

Nominal charging voltage(min) representing CHGLVL1 = Low (0) and CHGLVL0 = Low (0).

Table 62. V Chg Nominal

Subclass ID	Subclass Name	Offset	Name	Format	Size in Bytes	Min Value	Max Value	Default Value	Unit
86	Capacitance Estimation	6	V Chg Nominal	Integer	2	0	25000	10400	mV

V Chg A

Charging voltage representing CHGLVL1 = Low (0) and CHGLVL0 = High (1).

Table 63. V Chg A

Subclass ID	Subclass Name	Offset	Name	Format	Size in Bytes	Min Value	Max Value	Default Value	Unit
86	Capacitance Estimation	8	V Chg A	Integer	2	0	25000	11125	mV

V Chg B

Charging voltage representing CHGLVL1 = High (1) and CHGLVL0 = Low (0).

Table 64. V Chg B

Subclass ID	Subclass Name	Offset	Name	Format	Size in Bytes	Min Value	Max Value	Default Value	Unit
86	Capacitance Estimation	10	V Chg B	Integer	2	0	25000	11875	mV

V Chg Max

Charging voltage(max) representing CHGLVL1 = High (1) and CHGLVL0 = High (1).

Table 65. V Chg Max

Subclass ID	Subclass Name	Offset	Name	Format	Size in Bytes	Min Value	Max Value	Default Value	Unit
86	Capacitance Estimation	12	V Chg Max	Integer	2	0	25000	125000	mV

Min Voltage

Min Voltage is the minimum voltage which the Super Capacitor should discharge. **Min Voltage** is used in Capacitance estimation which defines the Super Capacitor usage range.

Table 66. Min Voltage

Subclass ID	Subclass Name	Offset	Name	Format	Size in Bytes	Min Value	Max Value	Default Value	Unit
86	Capacitance Estimation	16	Min Voltage	Integer	2	0	10000	4000	mV

Learning Frequency

Learning Frequency is the amount of time elapsed between automatic learning cycles.

Table 67. Learning Frequency

Subclass ID	Subclass Name	Offset	Name	Format	Size in Bytes	Min Value	Max Value	Default Value	Unit
86	Capacitance Estimation	18	Learning Frequency	Unsigned Integer	1	0	255	2	week

Dsg Current Threshold

The bq33100 enters discharge mode from charge mode if $Current < (-) Dsg\ Current\ Threshold$.

Table 68. Dsg Current Threshold

Subclass ID	Subclass Name	Offset	Name	Format	Size in Bytes	Min Value	Max Value	Default Value	Unit
81	Current Thresholds	0	Dsg Current Threshold	Integer	2	0	2000	10	mA

Chg Current Threshold

The bq33100 enters charge mode from discharge mode if $Current > Chg\ Current\ Threshold$.

Table 69. Chg Current Threshold

Subclass ID	Subclass Name	Offset	Name	Format	Size in Bytes	Min Value	Max Value	Default Value	Unit
81	Current Thresholds	2	Chg Current Threshold	Integer	2	0	2000	0	mA

Quit Current

The bq33100 enters relaxation mode from charge mode if $Current$ goes below **Quit Current** for 60 seconds. The bq33100 enters relaxation mode from discharge mode if $Current$ goes above $(-)$ **Quit Current** for 60 seconds.

Table 70. Quit Current

Subclass ID	Subclass Name	Offset	Name	Format	Size in Bytes	Min Value	Max Value	Default Value	Unit
81	Current Thresholds	4	Quit Current	Integer	2	0	1000	0	mA

MEASUREMENT SYSTEM AND CALIBRATION CONFIGURATION

Calibration

The bq33100 does not require calibration but can be calibrated for improved measurement accuracy.

Coulomb Counter Deadband

The bq33100 does not accumulate charge or discharge for monitoring when the current input is below the **Deadband** threshold which should be set sufficiently high to prevent false signal detection with no charge or discharge flowing through the sense resistor.

Auto Calibration

The bq33100 provides an auto-calibration feature to cancel the voltage offset error across SRP and SRN for maximum charge measurement accuracy. The bq33100 performs auto-calibration when the SMBus lines stay low continuously for a minimum of 5 s and *Temperature* is within bounds of 5°C and 45°C.

Current Gain

Current Gain sets the mA current scale factor for the coulomb counter. Use calibration routines to set this value.

Table 71. Current Gain

Subclass ID	Subclass Name	Offset	Name	Format	Size in Bytes	Min Value	Max Value	Default Value	Unit
104	Data	0	Current Gain	Floating point	4	1.0E-01	4.0E+00	0.9419	mOhm

CC Delta

CC Delta sets the mF capacitance scale factor for the coulomb counter. Use calibration routines to set this value.

Table 72. CC Delta

Subclass ID	Subclass Name	Offset	Name	Format	Size in Bytes	Min Value	Max Value	Default Value	Unit
104	Data	4	CC Delta	Floating point	4	2.9826E+04	1.193046E+06	280932.825	mOhm

Cap1 K-factor

This register value stores the ADC voltage translation factor for the top capacitor (Capacitor 1), which is connected between the VC1 and VC2 pins. By default, this value is not used and the factory calibration are in effect. This value overrides the factory calibration when the K-factor Override Flag is set to 0x9669 by the software calibration process.

Table 73. Cap1 K-factor

Subclass ID	Subclass Name	Offset	Name	Format	Size in Bytes	Min Value	Max Value	Default Value	Unit
104	Data	8	Cap1 K-factor	Integer	2	0	32767	20500	

Cap2 K-factor

This register value stores the ADC voltage translation factor for Capacitor 2, which is connected between the VC2 and VC3 pins. By default, this value is not used and the factory calibration are in effect. This value overrides the factory calibration when the K-factor Override Flag is set to 0x9669 by the software calibration process.

Table 74. Cap2 K-factor

Subclass ID	Subclass Name	Offset	Name	Format	Size in Bytes	Min Value	Max Value	Default Value	Unit
104	Data	10	Cap2 K-factor	Integer	2	0	32767	20500	

Cap3 K-factor

This register value stores the ADC voltage translation factor for Capacitor 3, which is connected between the VC3 and VC4 pins. By default, this value is not used and the factory calibration are in effect. This value overrides the factory calibration when the K-factor Override Flag is set to 0x9669 by the software calibration process.

Table 75. Cap3 K-factor

Subclass ID	Subclass Name	Offset	Name	Format	Size in Bytes	Min Value	Max Value	Default Value	Unit
104	Data	12	Cap3 K-factor	Integer	2	0	32767	20500	

Cap4 K-factor

This register value stores the ADC voltage translation factor for Capacitor 4, which is connected between the VC4 and VC5 pins. By default, this value is not used and the factory calibration are in effect. This value overrides the factory calibration when the K-factor Override Flag is set to 0x9669 by the software calibration process.

Table 76. Cap4 K-factor

Subclass ID	Subclass Name	Offset	Name	Format	Size in Bytes	Min Value	Max Value	Default Value	Unit
104	Data	14	Cap4 K-factor	Integer	2	0	32767	20500	

Cap5 K-factor

This register value stores the ADC voltage translation factor for the bottom capacitor (Capacitor 5), which is connected between the VC5 and VSS pins.

Table 77. Cap5 K-factor

Subclass ID	Subclass Name	Offset	Name	Format	Size in Bytes	Min Value	Max Value	Default Value	Unit
104	Data	16	Cap5 K-factor	Integer	2	0	32767	20500	

K-factor Override Flag

This register value is by default 0, indicating that the factory calibrated K-factors are being used. If this register is set to 0x9669, Cap1~Cap5 K-factors in the data flash are used for voltage translation.

Table 78. K-factor Override Flag

Subclass ID	Subclass Name	Offset	Name	Format	Size in Bytes	Min Value	Max Value	Default Value	Unit
104	Data	18	K-factor Override Flag	Hex	2	0x0	0xffff	0x0	

System Voltage K-factor

This register value stores the scale factor for the PackVoltage, voltage measured at the VCCPACK pin of the bq33100

Table 79. System Voltage K-factor

Subclass ID	Subclass Name	Offset	Name	Format	Size in Bytes	Min Value	Max Value	Default Value	Unit
104	Data	20	System Voltage K-factor	Integer	2	0	32767	24500	

Stack Voltage K-factor

This register value stores the scale factor for the Stack Voltage, voltage measured at the VCC pin of the bq33100

Table 80. Stack Voltage K-factor

Subclass ID	Subclass Name	Offset	Name	Format	Size in Bytes	Min Value	Max Value	Default Value	Unit
104	Data	22	Stack Voltage K-factor	Integer	2	0	32767	24500	

CC Offset

This register value stores the coulomb counter offset compensation. It is set during CC Offset calibration, or by automatic calibration of the bq33100 before the gauge enters shutdown. It is not recommended to manually change this value.

Table 81. CC Offset

Subclass ID	Subclass Name	Offset	Name	Format	Size in Bytes	Min Value	Max Value	Default Value	Unit
104	Data	20	CC Offset	Integer	2	-32768	32767	-7744	(mV)

Board Offset

This register value stores the compensation for the PCB dependant coulomb counter offset. It is recommended to use characterization data of the actual PCB to set this value.

Table 82. Board Offset

Subclass ID	Subclass Name	Offset	Name	Format	Size in Bytes	Min Value	Max Value	Default Value	Unit
104	Data	22	Board Offset	Integer	2	-32767	32767	0	uV

Int Temp Offset

This register value stores the internal temperature sensor offset compensation. Use calibration routines to set this value

Table 83. Int Temp Offset

Subclass ID	Subclass Name	Offset	Name	Format	Size in Bytes	Min Value	Max Value	Default Value	Unit
104	Data	24	Int Temp Offset	Integer	1	-128	127	0	0.1 degC

Ext1 Temp Offset

This register value stores the temperature sensor offset compensation for the external temperature sensor 1 connected at the TS1 pin of the bq33100. Use calibration routines to set this value

Table 84. Ext1 Temp Offset

Subclass ID	Subclass Name	Offset	Name	Format	Size in Bytes	Min Value	Max Value	Default Value	Unit
104	Data	25	Ext1 Temp Offset	Integer	1	-128	127	0	0.1 degC

CC Current

This value sets the current used for the CC calibration when in calibration mode.

Table 85. CC Current

Subclass ID	Subclass Name	Offset	Name	Format	Size in Bytes	Min Value	Max Value	Default Value	Unit
105	Config	0	CC Current	Integer	2	0	32767	3000	mA

Voltage Signal

This value sets the voltage used for calibration when in calibration mode.

Table 86. Voltage Signal

Subclass ID	Subclass Name	Offset	Name	Format	Size in Bytes	Min Value	Max Value	Default Value	Unit
105	Config	2	Voltage Signal	Integer	2	0	32767	12600	mV

Temp Signal

This value sets the temperature used for the temperature calibration in calibration mode.

Table 87. Temp Signal

Subclass ID	Subclass Name	Offset	Name	Format	Size in Bytes	Min Value	Max Value	Default Value	Unit
105	Config	4	Temp Signal	Integer	2	0	32767	298	0.1 degK

CC Offset Time

This value sets the time used for the CC Offset calibration in calibration mode. More time means more accuracy. The legitimate values for this constant are integer multiples of 250. Numbers less than 250 will cause a CC Offset calibration error. Numbers greater than 250 will be rounded down to the nearest multiple of 250.

Table 88. CC Offset Time

Subclass ID	Subclass Name	Offset	Name	Format	Size in Bytes	Min Value	Max Value	Default Value	Unit
105	Config	6	CC Offset Time	Unsigned Integer	2	0	65535	250	s (ms)

ADC Offset Time

This constant defines the time for the ADC Offset calibration in calibration mode. More time means more accuracy. The legitimate values for this constant are integer multiples of 32. Numbers less than 32 will cause an ADC offset calibration error. Numbers greater than 32 will be rounded down to the nearest multiple of 32.

Table 89. ADC Offset Time

Subclass ID	Subclass Name	Offset	Name	Format	Size in Bytes	Min Value	Max Value	Default Value	Unit
105	Config	8	ADC Offset Time	Unsigned Integer	2	0	65535	32	ms

Current Gain Time

This constant defines the time for the Current Gain calibration in calibration mode. More time means more accuracy. The legitimate values for this constant are integer multiples of 250. Numbers less than 250 will cause a Current gain calibration error. Numbers greater than 250 will be rounded down to the nearest multiple of 250.

Table 90. Current Gain Time

Subclass ID	Subclass Name	Offset	Name	Format	Size in Bytes	Min Value	Max Value	Default Value	Unit
105	Config	10	Current Gain Time	Unsigned Integer	2	0	65535	250	ms

Voltage Time

This constant defines the time for the voltage calibration in calibration mode. More time means more accuracy. The legitimate values for this constant are integer multiples of 1984. Numbers less than 1984 will cause a voltage calibration error. Numbers greater than 1984 will be rounded down to the nearest multiple of 1984.

Table 91. Voltage Time

Subclass ID	Subclass Name	Offset	Name	Format	Size in Bytes	Min Value	Max Value	Default Value	Unit
105	Config	12	Voltage Time	Unsigned Integer	2	0	65535	1888	ms

Temperature Time

This constant defines the time for the temperature calibration in calibration mode. More time means more accuracy. The legitimate values for this constant are integer multiples of 32. Numbers less than 32 will cause a temperature calibration error. Numbers greater than 32 will be rounded down to the nearest multiple of 32.

Table 92. Temperature Time

Subclass ID	Subclass Name	Offset	Name	Format	Size in Bytes	Min Value	Max Value	Default Value	Unit
105	Config	14	Temperature Time	Unsigned Integer	2	0	65535	32	ms

Cal Mode Timeout

The bq33100 will exit calibration mode automatically after a **Cal Mode Timeout** period.

Table 93. Cal Mode Timeout

Subclass ID	Subclass Name	Offset	Name	Format	Size in Bytes	Min Value	Max Value	Default Value	Unit
105	Config	17	Cal Mode Timeout	Unsigned Integer	2	0	65535	38400	1/128 s (s)

Ext Coef a1..a5, b1..b4, Ext rc0, Ext adc0

These values characterize the external thermistor connected to the TS1 pin or the TS2 pin of the bq33100. The default values characterize the Semitec 103AT NTC thermistor. Do not modify these values without consulting TI.

Table 94. Ext Coef a1..a5, b1..b4, Ext rc0, Ext adc0

Subclass ID	Subclass Name	Offset	Name	Format	Size in Bytes	Min Value	Max Value	Default Value	Unit
106	Temp Model	0	Ext Coef a1	Integer	2	-32768	32767	-11130	num
		2	Ext Coef a2					19142	
		4	Ext Coef a3					-19262	
		6	Ext Coef a4					28203	
		8	Ext Coef a5					892	
		10	Ext Coef b1					328	
		12	Ext Coef b2					-605	
		14	Ext Coef b3					-2443	
		16	Ext Coef b4					4696	
		18	Ext rc0					11703	
		20	Ext adc0					11338	

Rpad

This value characterizes the pad resistance of the bq33100. Do not modify without consulting TI.

Table 95. Rpad

Subclass ID	Subclass Name	Offset	Name	Format	Size in Bytes	Min Value	Max Value	Default Value	Unit
106	Temp Model	22	Rpad	Integer	2	-32768	32767	87	Ohm

Rint

This value characterizes the internal resistance of the bq3100. Do not modify without consulting TI.

Table 96. Rint

Subclass ID	Subclass Name	Offset	Name	Format	Size in Bytes	Min Value	Max Value	Default Value	Unit
106	Temp Model	24	Rint	Integer	2	-32768	32767	17740	Ohm

Int Coef 1..4, Int Min AD, Int Max Temp

These values characterize the internal thermistor of the bq33100. Do not modify these values without consulting TI.

Table 97. Int Coef 1..4, Int Min AD, Int Max Temp

Subclass ID	Subclass Name	Offset	Name	Format	Size in Bytes	Min Value	Max Value	Default Value	Unit
106	Temp Model	26	Int Coef 1	Integer	2	-32768	32767	0	s
		28	Int Coef 2					0	
		30	Int Coef 3					-12263	
		32	Int Coef 4					6106	
		34	Int Min AD					0	
		36	Int Max Temp					6106	0.1 degK

Filter

Filter defines the filter constant used in the AverageCurrent calculation:

$$\text{AverageCurrent}_{\text{new}} = a \times \text{AverageCurrent}_{\text{old}} + (1 - a) \times \text{Current}$$

with:

$$a = \langle \text{Filter} \rangle / 256; \text{ the time constant} = 1 \text{ sec} / \ln(1/a) \text{ (default 14.5 sec)}$$

Table 98. Filter

Subclass ID	Subclass Name	Offset	Name	Format	Size in Bytes	Min Value	Max Value	Default Value	Unit
107	Current	0	Filter	Unsigned Integer	1	0	255	239	

Deadband

Any current within $\pm \text{DeadBand}$ will be reported as 0 mA by the *Current* function

Table 99. Deadband

Subclass ID	Subclass Name	Offset	Name	Format	Size in Bytes	Min Value	Max Value	Default Value	Unit
107	Current	1	Deadband	Unsigned Integer	1	0	255	0	mA

CC Deadband

This constant defines the Deadband voltage for the measured voltage between the SR1 and SR2 pins used for capacitance accumulation in units of 294 nV. Any voltages within \pm **CC Deadband** do not contribute to capacitance accumulation.

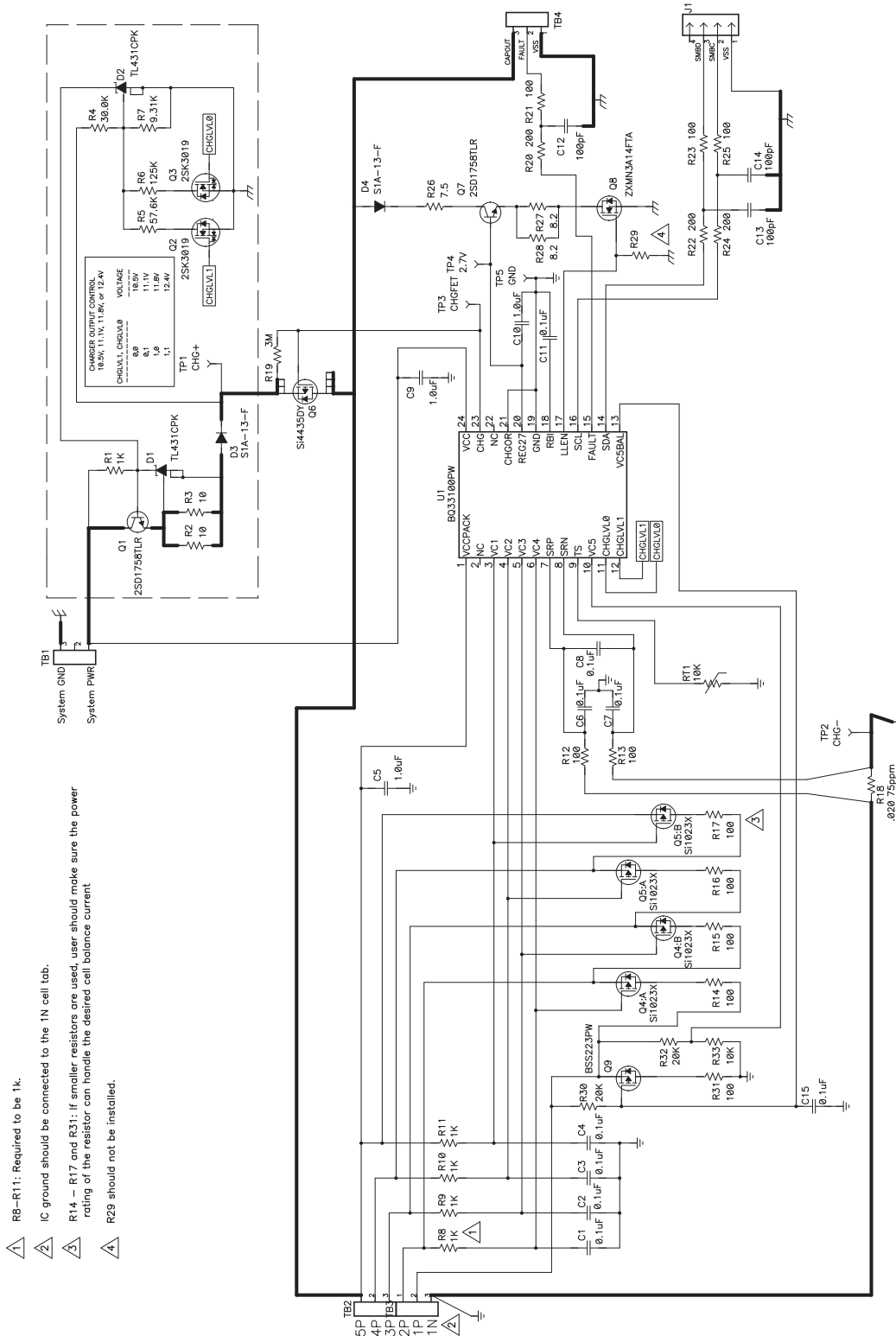
Table 100. CC Deadband

Subclass ID	Subclass Name	Offset	Name	Format	Size in Bytes	Min Value	Max Value	Default Value	Unit
107	Current	2	Deadband	Unsigned Integer	1	0	255	10	294 nV

APPLICATION INFORMATION

APPLICATION SCHEMATIC

Application Reference Schematic



REVISION HISTORY

Changes from Original (January 2011) to Revision A	Page
• Changed SYSTEM PARTITIONING DIAGRAM.	3
• Changed Voltage as Current During Learning graphic.	14
• Changed equation 1 denominator from $(V[D] - [C])$ to $(V[C] - V[D])$	14
• Changed Application Reference Schematic.	50

PACKAGING INFORMATION

Orderable Device	Status ⁽¹⁾	Package Type	Package Drawing	Pins	Package Qty	Eco Plan ⁽²⁾	Lead/ Ball Finish	MSL Peak Temp ⁽³⁾	Samples (Requires Login)
BQ33100PW	ACTIVE	TSSOP	PW	24	60	Green (RoHS & no Sb/Br)	CU NIPDAU	Level-2-260C-1 YEAR	
BQ33100PWR	ACTIVE	TSSOP	PW	24	2000	Green (RoHS & no Sb/Br)	CU NIPDAU	Level-2-260C-1 YEAR	

⁽¹⁾ The marketing status values are defined as follows:

ACTIVE: Product device recommended for new designs.

LIFEBUY: TI has announced that the device will be discontinued, and a lifetime-buy period is in effect.

NRND: Not recommended for new designs. Device is in production to support existing customers, but TI does not recommend using this part in a new design.

PREVIEW: Device has been announced but is not in production. Samples may or may not be available.

OBSOLETE: TI has discontinued the production of the device.

⁽²⁾ Eco Plan - The planned eco-friendly classification: Pb-Free (RoHS), Pb-Free (RoHS Exempt), or Green (RoHS & no Sb/Br) - please check <http://www.ti.com/productcontent> for the latest availability information and additional product content details.

TBD: The Pb-Free/Green conversion plan has not been defined.

Pb-Free (RoHS): TI's terms "Lead-Free" or "Pb-Free" mean semiconductor products that are compatible with the current RoHS requirements for all 6 substances, including the requirement that lead not exceed 0.1% by weight in homogeneous materials. Where designed to be soldered at high temperatures, TI Pb-Free products are suitable for use in specified lead-free processes.

Pb-Free (RoHS Exempt): This component has a RoHS exemption for either 1) lead-based flip-chip solder bumps used between the die and package, or 2) lead-based die adhesive used between the die and leadframe. The component is otherwise considered Pb-Free (RoHS compatible) as defined above.

Green (RoHS & no Sb/Br): TI defines "Green" to mean Pb-Free (RoHS compatible), and free of Bromine (Br) and Antimony (Sb) based flame retardants (Br or Sb do not exceed 0.1% by weight in homogeneous material)

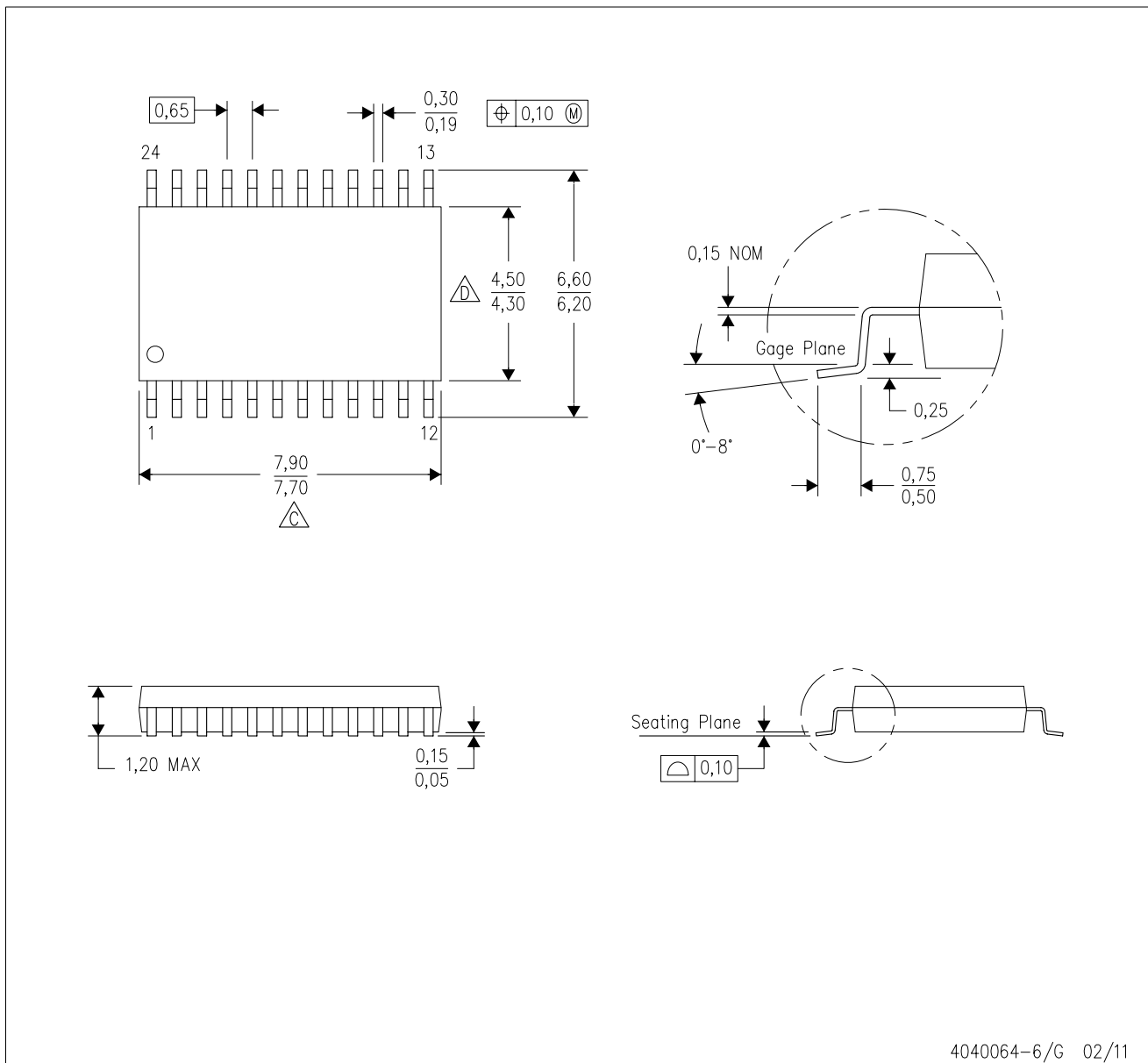
⁽³⁾ MSL, Peak Temp. -- The Moisture Sensitivity Level rating according to the JEDEC industry standard classifications, and peak solder temperature.

Important Information and Disclaimer: The information provided on this page represents TI's knowledge and belief as of the date that it is provided. TI bases its knowledge and belief on information provided by third parties, and makes no representation or warranty as to the accuracy of such information. Efforts are underway to better integrate information from third parties. TI has taken and continues to take reasonable steps to provide representative and accurate information but may not have conducted destructive testing or chemical analysis on incoming materials and chemicals. TI and TI suppliers consider certain information to be proprietary, and thus CAS numbers and other limited information may not be available for release.

In no event shall TI's liability arising out of such information exceed the total purchase price of the TI part(s) at issue in this document sold by TI to Customer on an annual basis.

PW (R-PDSO-G24)

PLASTIC SMALL OUTLINE

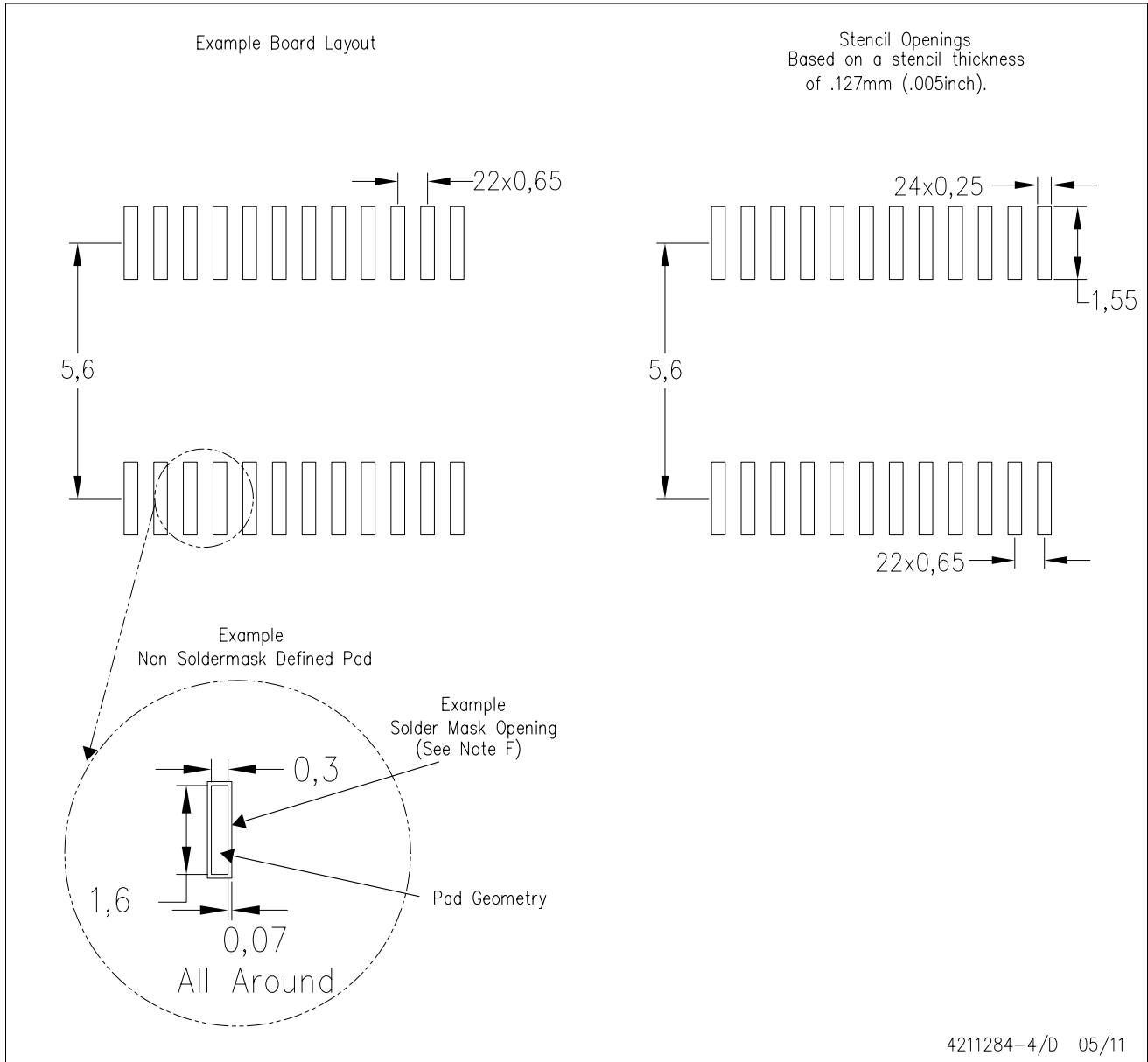


4040064-6/G 02/11

- NOTES:
- A. All linear dimensions are in millimeters. Dimensioning and tolerancing per ASME Y14.5M-1994.
 - B. This drawing is subject to change without notice.
 - Body length does not include mold flash, protrusions, or gate burrs. Mold flash, protrusions, or gate burrs shall not exceed 0,15 each side.
 - Body width does not include interlead flash. Interlead flash shall not exceed 0,25 each side.
 - E. Falls within JEDEC MO-153

PW (R-PDSO-G24)

PLASTIC SMALL OUTLINE



- NOTES:
- A. All linear dimensions are in millimeters.
 - B. This drawing is subject to change without notice.
 - C. Publication IPC-7351 is recommended for alternate design.
 - D. Laser cutting apertures with trapezoidal walls and also rounding corners will offer better paste release. Customers should contact their board assembly site for stencil design recommendations. Refer to IPC-7525 for other stencil recommendations.
 - E. Customers should contact their board fabrication site for solder mask tolerances between and around signal pads.

IMPORTANT NOTICE

Texas Instruments Incorporated and its subsidiaries (TI) reserve the right to make corrections, modifications, enhancements, improvements, and other changes to its products and services at any time and to discontinue any product or service without notice. Customers should obtain the latest relevant information before placing orders and should verify that such information is current and complete. All products are sold subject to TI's terms and conditions of sale supplied at the time of order acknowledgment.

TI warrants performance of its hardware products to the specifications applicable at the time of sale in accordance with TI's standard warranty. Testing and other quality control techniques are used to the extent TI deems necessary to support this warranty. Except where mandated by government requirements, testing of all parameters of each product is not necessarily performed.

TI assumes no liability for applications assistance or customer product design. Customers are responsible for their products and applications using TI components. To minimize the risks associated with customer products and applications, customers should provide adequate design and operating safeguards.

TI does not warrant or represent that any license, either express or implied, is granted under any TI patent right, copyright, mask work right, or other TI intellectual property right relating to any combination, machine, or process in which TI products or services are used. Information published by TI regarding third-party products or services does not constitute a license from TI to use such products or services or a warranty or endorsement thereof. Use of such information may require a license from a third party under the patents or other intellectual property of the third party, or a license from TI under the patents or other intellectual property of TI.

Reproduction of TI information in TI data books or data sheets is permissible only if reproduction is without alteration and is accompanied by all associated warranties, conditions, limitations, and notices. Reproduction of this information with alteration is an unfair and deceptive business practice. TI is not responsible or liable for such altered documentation. Information of third parties may be subject to additional restrictions.

Resale of TI products or services with statements different from or beyond the parameters stated by TI for that product or service voids all express and any implied warranties for the associated TI product or service and is an unfair and deceptive business practice. TI is not responsible or liable for any such statements.

TI products are not authorized for use in safety-critical applications (such as life support) where a failure of the TI product would reasonably be expected to cause severe personal injury or death, unless officers of the parties have executed an agreement specifically governing such use. Buyers represent that they have all necessary expertise in the safety and regulatory ramifications of their applications, and acknowledge and agree that they are solely responsible for all legal, regulatory and safety-related requirements concerning their products and any use of TI products in such safety-critical applications, notwithstanding any applications-related information or support that may be provided by TI. Further, Buyers must fully indemnify TI and its representatives against any damages arising out of the use of TI products in such safety-critical applications.

TI products are neither designed nor intended for use in military/aerospace applications or environments unless the TI products are specifically designated by TI as military-grade or "enhanced plastic." Only products designated by TI as military-grade meet military specifications. Buyers acknowledge and agree that any such use of TI products which TI has not designated as military-grade is solely at the Buyer's risk, and that they are solely responsible for compliance with all legal and regulatory requirements in connection with such use.

TI products are neither designed nor intended for use in automotive applications or environments unless the specific TI products are designated by TI as compliant with ISO/TS 16949 requirements. Buyers acknowledge and agree that, if they use any non-designated products in automotive applications, TI will not be responsible for any failure to meet such requirements.

Following are URLs where you can obtain information on other Texas Instruments products and application solutions:

Products

Audio	www.ti.com/audio
Amplifiers	amplifier.ti.com
Data Converters	dataconverter.ti.com
DLP® Products	www.dlp.com
DSP	dsp.ti.com
Clocks and Timers	www.ti.com/clocks
Interface	interface.ti.com
Logic	logic.ti.com
Power Mgmt	power.ti.com
Microcontrollers	microcontroller.ti.com
RFID	www.ti-rfid.com
RF/IF and ZigBee® Solutions	www.ti.com/lprf

Applications

Communications and Telecom	www.ti.com/communications
Computers and Peripherals	www.ti.com/computers
Consumer Electronics	www.ti.com/consumer-apps
Energy and Lighting	www.ti.com/energy
Industrial	www.ti.com/industrial
Medical	www.ti.com/medical
Security	www.ti.com/security
Space, Avionics and Defense	www.ti.com/space-avionics-defense
Transportation and Automotive	www.ti.com/automotive
Video and Imaging	www.ti.com/video
Wireless	www.ti.com/wireless-apps

TI E2E Community Home Page

e2e.ti.com

Mailing Address: Texas Instruments, Post Office Box 655303, Dallas, Texas 75265
Copyright © 2011, Texas Instruments Incorporated